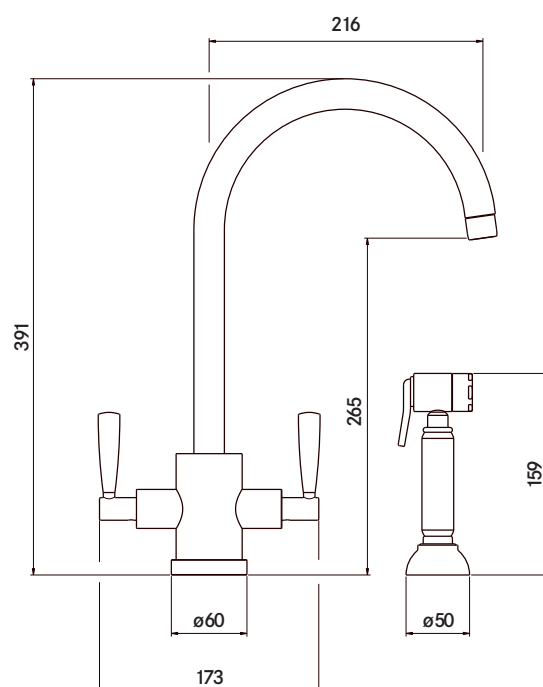


# FRANKE OLYMPUS SPRAY TAP

Installation instructions



*Make  
it  
Wonderful*

**FRANKE**

## Technical data

Minimum water pressure: 7.25PSI (0.5 bar)

Maximum water pressure: 75PSI (5 bar)

Maximum hot water temperature: 70°C

Recommended hot water temperature: 65°C

**Note:** If these temperatures or water pressures are exceeded damage to the tap can result.

**A pressure reducing valve may be required to be fitted in high water pressure situations.**

## Attention

Before installing the new mixer it is essential that you thoroughly flush through the supply pipes in order to remove any remaining swarf, solder or other impurities.

Failure to carry out this simple procedure could cause problems or damage to the workings of the mixer.

Having first checked all new connections, turn on the mains stopcock, close all taps except the new mixer and as the system starts to refill check for leaks.

Once you have satisfied yourself that there are no leaks, switch on the water heating.

## Preparation

First shut off your water heating system then, with your mains stopcock closed, open the lowest hot and cold taps in the house and allow to run until the cold storage tank and pipes are empty (the hot water storage cylinder always remains full).

## Installation

First screw the threaded stud 1 into the mixer body. Screw the flexi-tails (2 & 3) into the mixer body and fully hand tighten. At the same time attach tails (4 flexi and 5 rigid) incorporating the diverter.

Pass the plinth over the tails and fit in position. The shaped upstand on the plinth will locate in the tap body and the 'O' ring should be placed in the recess to make a seal with the sink.

When the tap is in position (with the cold side on the right when viewed from the front) slide the nylon bracing plate up to the underside of the sink together with the retaining plate, and secure by screwing the fixing nut finger tight. Check that the mixer body and plinth are correctly positioned and fully tighten fixing nut.

The diverter should be connected to rigid tail with the upper male thread (check that the gasket is correctly positioned inside the nut), and to flexi-tail (neutral grey one) with the lateral male thread.

To install the sprayhead, a 30mm hole should be made in the worktop/sink. The sprayhead should not be located more than 300mm away from the tap, otherwise this will restrict the amount of pull out 1 meter hose that can be utilised.

Fit the sprayhead holder in position, slide the seal, the retaining plate and the nut over it and fully tighten. Screw the flexi pipe to sprayhead with the conical nut (check that the gasket is correctly positioned inside the nut) pass the hose inside the holder and then screw this in the bottom of diverter, inside the female thread.

## Warning

These hints have been prepared for your guidance, you must exercise due care at all times. We do not accept responsibility for any problems that may occur through incorrect installation.

**NB:** If for any reason the spout is removed from the tap, care must be taken when reinserting the spout into the body to ensure that the Grub Screw is located in the **split** of the white PTFE ring.

## How to care for your tap

To maintain the appearance of this tap, ensure it is cleaned only using a clean, soft damp cloth. A solution of warm water and mild liquid detergent may be used where necessary, and then the fitting rinsed thoroughly. Abrasive cleaners or acidic cleaners **MUST NOT BE USED** under any circumstances. Avoid contact with all solvents.

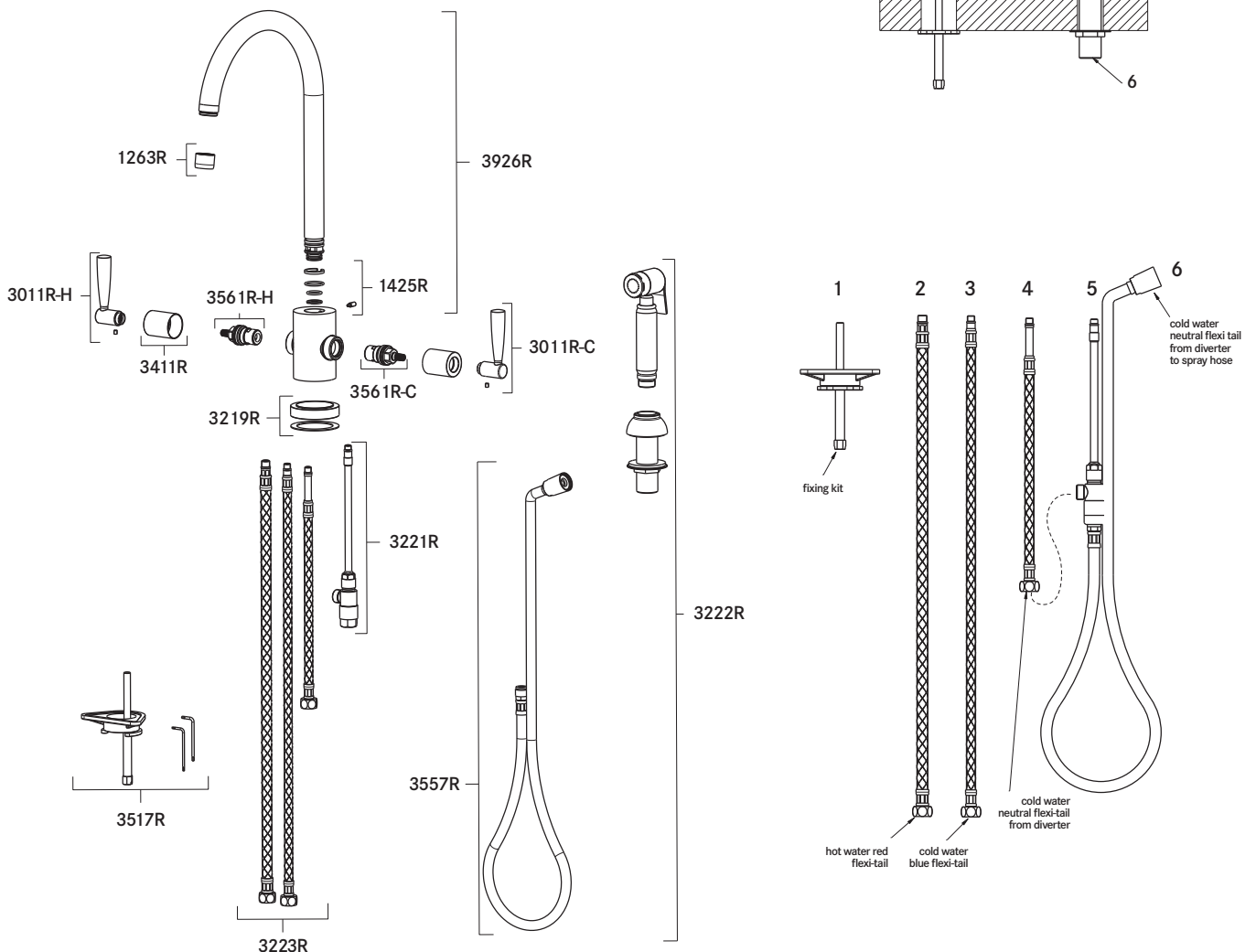
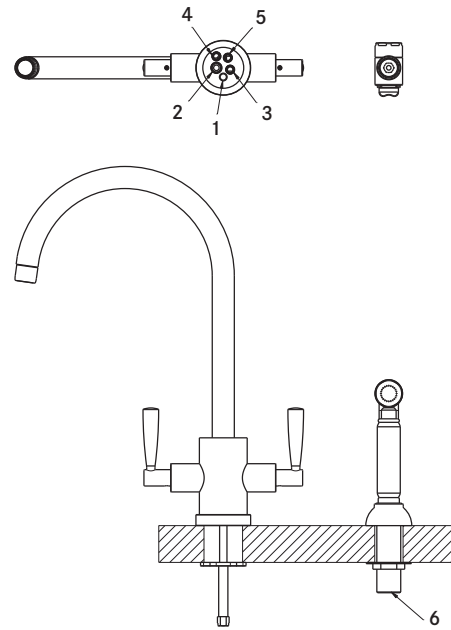
## Available finish

115.0051.538 Chrome

## Parts list as follows

FUN number	Part name	Part code
133.0068.761	Antisplash Chrome	1263R CH
133.0069.183	'O' ring kit	1425R
133.0359.218	Spout Chrome	3926R CH
133.0068.806	Plinth Chrome	3219R CH
133.0068.881	Hot handle Chrome	3011R-H CH
133.0068.879	Cold handle Chrome	3011R-C CH
133.0069.411	Valve cover Chrome	3411R CH
133.0194.088	Valve hot	3561R-H
133.0194.089	Valve cold	3561R-C
133.0069.325	Hand spray assembly inc. holder Chrome	3222R CH
133.0167.390	Hand spray hose	3557R

133.0069.324	Diverter assembly (inc screw-in tail) for filter flow spray	3221R
133.0084.696	Fixing kit	3517R
133.0069.326	Flexi-tails	3223R



## Guarantee

Your Franke mixer has been manufactured to the high standard you would expect of any Franke product but in the unlikely event that you should experience any defect in the materials or workmanship within one year of purchase, we will replace the faulty part free of charge. This is provided the mixer has only been used for normal domestic purposes in the UK and that the care, installation and maintenance instructions have been observed.

You should also retain your dated invoice as proof of purchase to validate any claims under our guarantee.

This one year guarantee is extended to five years in the case of the valve mechanism.

Normal wear and tear is excluded from the guarantee.

Decorative surface finishes are guaranteed for one year from the date of purchase provided our advice concerning care has been observed and no scouring agents have been used.

Scuffs and scratches caused by improper installation or accidental damage are not covered by this guarantee. Neither are slight shade variations or any damage or defect caused by incorrect installation or abuse of the fitting.

## Service

For spare parts, servicing or any other queries, visit [www.franke.co.uk](http://www.franke.co.uk)

Franke UK Limited  
West Park, MIOC  
Styal Road  
Manchester  
M22 5WB  
Tel: +44 (0)161 436 6280  
Fax: +44 (0)161 436 2180  
Email [info.uk@franke.com](mailto:info.uk@franke.com)

For spare parts, servicing or any other queries, visit [www.franke.co.uk](http://www.franke.co.uk)

## Optional tap brace

A large or heavy tap fitted to a stainless steel inset sink may occasionally flex the sink. To counteract this, Franke has developed an innovative tap brace that can be purchased separately. The tap brace connects the tap to the worktop and not just to the sink, offering additional support to the tap and much more stability when fitted. The tap brace has a variable collar to ensure it will fit most models of tap and can be used on any inset stainless steel sink.

The Franke tap brace is available on request from most kitchen retailers.

