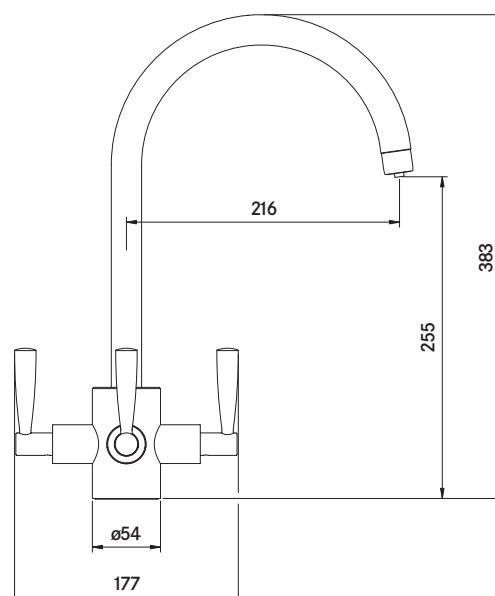


FILTERFLOW OLYMPUS TAP

Installation instructions



*Make
it
Wonderful*

FRANKE

Technical Data

Minimum water pressure: 14.5 PSI (1 bar)

Maximum water pressure: 75 PSI (5 bar)

Maximum hot water temperature: 70°C

Recommended hot water temperature: 65°C

Note: If these temperatures or water pressures are exceeded damage to the tap can result.

A pressure reducing valve may be required to be fitted in high water pressure situations.

NB If for any reason the spout is removed from the tap, care must be taken when reinserting the spout into the body to ensure that the Grub Screw (1425R) is located in the split of the white PTFE ring.

Connecting the FilterFlow

Please refer to the diagram and instructions (opposite page).

Attention. Before installing the new mixer it is essential that you thoroughly flush through the supply pipes in order to remove any remaining swarf, solder or other impurities.

Failure to carry out this simple procedure could cause problems or damage to the workings of the mixer.

Having first checked all new connections, turn on the mains stopcock, close all taps except the new mixer and as the system starts to refill check for leaks. Once you have satisfied yourself that there are no leaks, switch on the water heating.

Preparation

First shut off your water heating system then, with your mains stopcock closed, open the lowest hot and cold taps in the house and allow to run until the cold storage tank and pipes are empty. (The hot water storage cylinder always remains full).

Installation

First screw the threaded stud into the mixer body. Screw the tails into the mixer body and fully hand tighten.

After making any necessary alterations to existing pipework, fit in position. The 'O' ring should be placed in the recess of the body to make a seal with the sink.

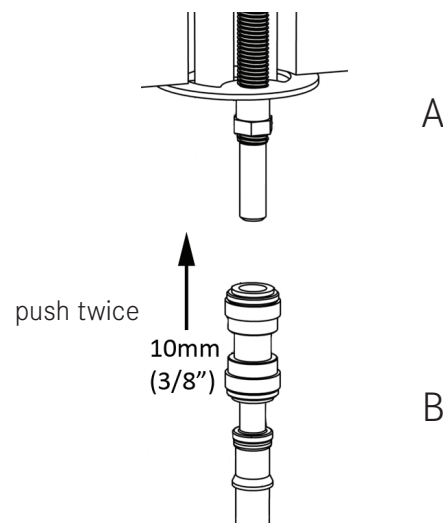
When the tap is in position (with the cold side on the right when viewed from the front) slide the nylon bracing plate up to the underside of the sink together with the retaining plate, and secure by screwing the fixing nut finger tight.

Check that the mixer is correctly positioned and fully tighten fixing nut. It is recommended that 15mm x 15mm compression fittings be used to connect mixer to supply pipes. Cold is connected to the right and hot on the left when viewed from the front.

Connecting the FilterFlow

Locate the 3/8" diameter stem at the base of your Franke FilterFlow filter tap. Wet the stem with a little water. Select the remaining braided hose (B) with the grey plastic push fit connector (A) attached to the free end. Engage the push fit connector on the tail and push it firmly on the stem.

Important. Initial resistance will be felt as the internal 'O' seal is engaged – continue to push the connector past the seal to the final stop. The connector should push on the stem 10mm (3/8"). Failure to fully engage the connector may result in subsequent failure of the joint



Warning: These hints have been prepared for your guidance, you must exercise due care at all times. We do not accept responsibility for any problems that may occur through incorrect installation.

How to care for your kitchen sink mixer

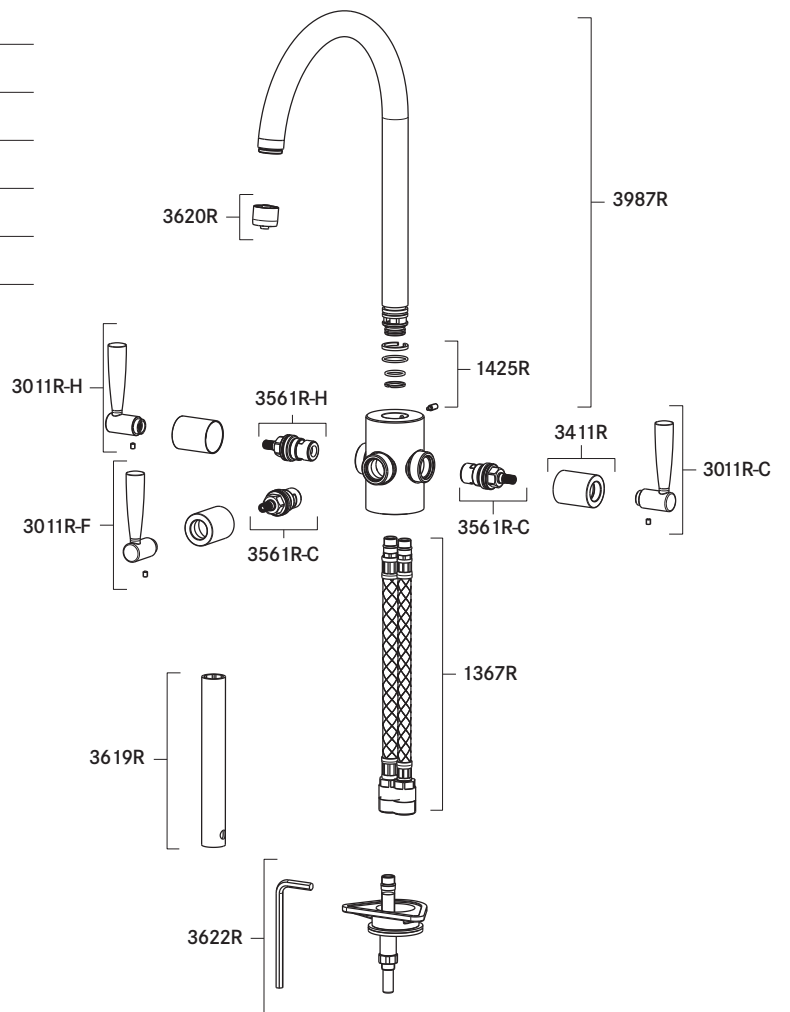
To maintain the appearance of this fitting, ensure it is cleaned only using a clean, soft damp cloth. A solution of warm water and mild liquid detergent may be used where necessary, and then the fitting rinsed thoroughly. Abrasive cleaners or acidic cleaners **MUST NOT BE USED** under any circumstances. Avoid contact with all solvents.

Available finish

120.0180.352	Chrome
120.0180.353	SilkSteel

Parts list as follows

FUN number	Part name	Part code
133.0194.029	Antisplash Chrome	3620R CH
133.0194.030	Antisplash SilkSteel	3620R SS
133.0069.183	'O' ring kit	1425R
133.0358.351	Spout Chrome	3987R CH
133.0358.355	Spout SilkSteel	3987R SS
133.0068.881	Hot handle Chrome	3011R-H CH
133.0068.879	Cold handle Chrome	3011R-C CH
133.0194.039	Filter handle Chrome	3011R-F CH
133.0068.882	Hot handle SilkSteel	3011R-H SS
133.0068.880	Cold handle SilkSteel	3011R-C SS
133.0194.040	Filter handle SilkSteel	3011R-F SS
133.0069.411	Valve cover Chrome	3411R CH
133.0069.412	Valve cover SilkSteel	3411R SS
133.0194.088	Valve hot	3561R-H
133.0194.089	Valve cold	3561R-C
133.0069.185	Flexi-tails	1367R
133.0194.035	Fixing kit	3622R
133.0194.036	FilterFlow fixing nut key	3619R



Guarantee

Your Franke FilterFlow tap has been manufactured to the high standard you would expect of any Franke product but in the unlikely event that you should experience any defect in the materials or workmanship within one year of purchase*, we will replace the faulty part free of charge. This is provided the mixer has only been used for normal domestic purposes in the UK and that the care, installation and maintenance instructions have been observed.

You should also retain your dated invoice as proof of purchase to validate any claims under our guarantee.

This one year guarantee is extended to five years in the case of the valve mechanisms.

*Normal wear and tear is excluded from the guarantee.

Decorative surface finishes are guaranteed for one year from the date of purchase provided our advice concerning care has been observed and no scouring agents have been used.

Scuffs and scratches caused by improper installation or accidental damage are not covered by this guarantee. Neither are slight shade variations or any damage or defect caused by incorrect installation or abuse of the fitting.

Service

For spare parts, servicing or any other queries, visit www.franke.co.uk

Franke UK Limited
West Park, MIOC
Styal Road
Manchester
M22 5WB
Tel: +44 (0)161 436 6280
Fax: +44 (0)161 436 2180
Email info.uk@franke.com

www.franke.co.uk

After Sales Service

Franke FilterFlow
3 Old Winery Business Park
Chapel Street
Cawston, Norfolk
NR10 4FE
Tel: +44 (0)808 165 0008
Fax: +44 (0)844 358 0166
Email info.uk@franke.com

www.frankefilterflow.co.uk

Optional tap brace

A large or heavy tap fitted to a stainless steel inset sink may occasionally flex the sink. To counteract this, Franke has developed an innovative tap brace that can be purchased separately. The tap brace connects the tap to the worktop and not just to the sink, offering additional support to the tap and much more stability when fitted. The tap brace has a variable collar to ensure it will fit most models of tap and can be used on any inset stainless steel sink.

The Franke tap brace is available on request from most kitchen retailers.



FRANKE