

**Instructions for use and installation**

Cooker Hood

**Istruzioni per l'uso e l'installazione**

Cappa

**Mode d'emploi et installation**

Hotte de Cuisine

**Bedienungsanleitung und Installation**

Dunstabzugshaube

**Kullanım ve montaj talimatları**

Davlumbaz

FGB 906 IS AC

INDEX

EN

RECOMMENDATIONS AND SUGGESTIONS	3
CHARACTERISTICS	6
INSTALLATION	8
USE	12
MAINTENANCE	14

INDICE

IT

CONSIGLI E SUGGERIMENTI	16
CARATTERISTICHE	19
INSTALLAZIONE	21
USO	25
MANUTENZIONE	27

SOMMAIRE

FR

CONSEILS ET SUGGESTIONS	29
CARACTERISTIQUES	32
INSTALLATION	34
UTILISATION	38
ENTRETIEN	40

INHALTSVERZEICHNIS

DE

EMPFEHLUNGEN UND HINWEISE	42
CHARAKTERISTIKEN	45
MONTAGE	47
BEDIENUNG	51
WARTUNG	53

İÇERİKLER

TR

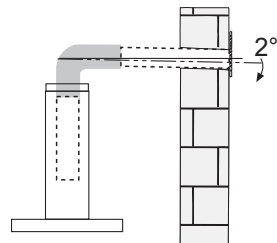
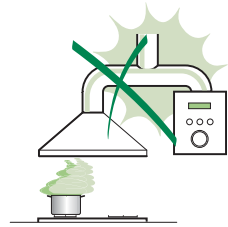
TAVSIYELER VE ÖNERİLER	55
ÖZELLİKLER	58
MONTAJ	60
KULLANIM	64
BAKIM	66

RECOMMENDATIONS AND SUGGESTIONS

- △ The Instructions for Use apply to several versions of this appliance. Accordingly, you may find descriptions of individual features that do not apply to your specific appliance.

INSTALLATION

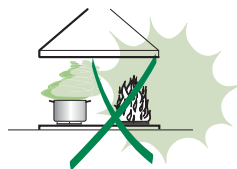
- The manufacturer will not be held liable for any damages resulting from incorrect or improper installation.
- The minimum safety distance between the cooker top and the extractor hood is 650 mm (some models can be installed at a lower height, please refer to the paragraphs on working dimensions and installation).
- Check that the mains voltage corresponds to that indicated on the rating plate fixed to the inside of the hood.
- For Class I appliances, check that the domestic power supply guarantees adequate earthing. Connect the extractor to the exhaust flue through a pipe of minimum diameter 120 mm. The route of the flue must be as short as possible.
- Do not connect the extractor hood to exhaust ducts carrying combustion fumes (boilers, fireplaces, etc.).
- If the extractor is used in conjunction with non-electrical appliances (e.g. gas burning appliances), a sufficient degree of aeration must be guaranteed in the room in order to prevent the backflow of exhaust gas. The kitchen must have an opening communicating directly with the open air in order to guarantee the entry of clean air. When the cooker hood is used in conjunction with appliances supplied with energy other than electric, the negative pressure in the room must not exceed 0,04 mbar to prevent fumes being drawn back into the room by the cooker hood.
- In the event of damage to the power cable, it must be replaced by the manufacturer or by the technical service department, in order to prevent any risks.



- If the instructions for installation for the gas hob specify a greater distance specified above, this has to be taken into account. Regulations concerning the discharge of air have to be fulfilled.
- Use only screws and small parts in support of the hood.
Warning: Failure to install the screws or fixing device in accordance with these instructions may result in electrical hazards.
- Connect the hood to the mains through a two-pole switch having a contact gap of at least 3 mm.

USE

- The extractor hood has been designed exclusively for domestic use to eliminate kitchen smells.
- Never use the hood for purposes other than for which it has been designed.
- Never leave high naked flames under the hood when it is in operation.
- Adjust the flame intensity to direct it onto the bottom of the pan only, making sure that it does not engulf the sides.
- Deep fat fryers must be continuously monitored during use: overheated oil can burst into flames.
- Do not flambè under the range hood; risk of fire.
- This appliance can be used by children aged from 8 years and above and persons with reduced physical, sensory or mental capabilities or lack of experience and knowledge if they have been given supervision or instruction concerning use of the appliance in a safe way and understand the hazards involved. Children shall not play with the appliance. Cleaning and user maintenance shall not be made by children without supervision.




- **“CAUTION:** Accessible parts may become hot when used with cooking appliances.”

MAINTENANCE

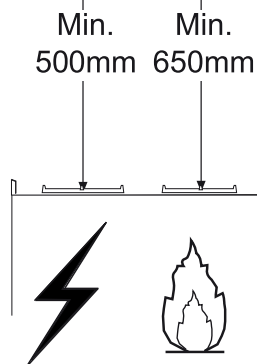
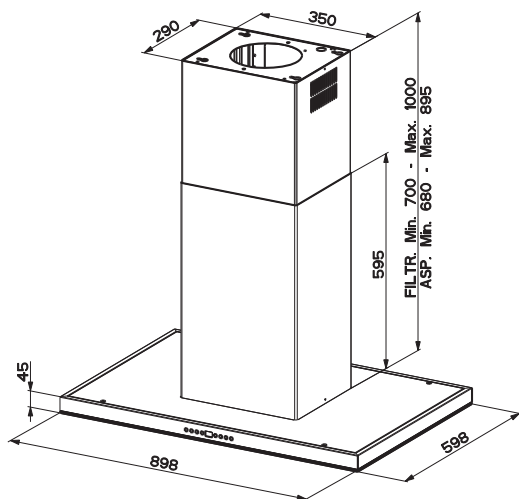
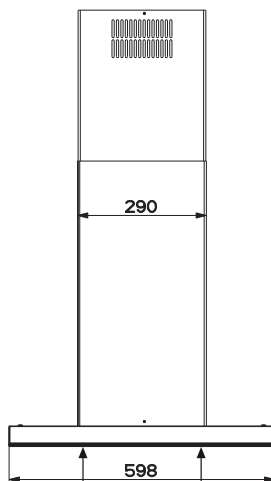
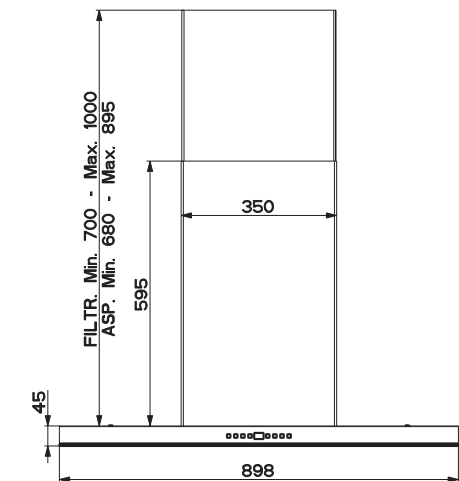
- Switch off or unplug the appliance from the mains supply before carrying out any maintenance work.
- Clean and/or replace the Filters after the specified time period (Fire hazard).
- The Grease filters must be cleaned every 2 months of operation, or more frequently for particularly heavy usage, and can be washed in a dishwasher.
- The Activated charcoal filter is not washable and cannot be regenerated, and must be replaced approximately every 4 months of operation, or more frequently for particularly heavy usage.
- Clean the hood using a damp cloth and a neutral liquid detergent.



The symbol  on the product or on its packaging indicates that this product may not be treated as household waste. Instead it shall be handed over to the applicable collection point for the recycling of electrical and electronic equipment. By ensuring this product is disposed of correctly, you will help prevent potential negative consequences for the environment and human health, which could otherwise be caused by inappropriate waste handling of this product. For more detailed information about recycling of this product, please contact your local city office, your household waste disposal service or the shop where you purchased the product.

CHARACTERISTICS

Dimensions

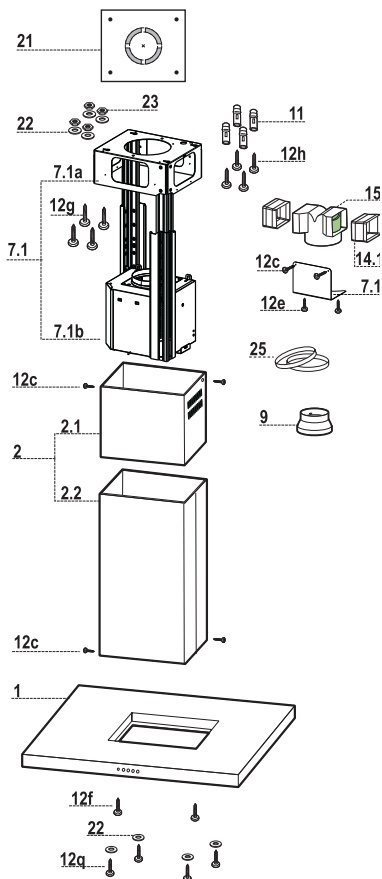


Components

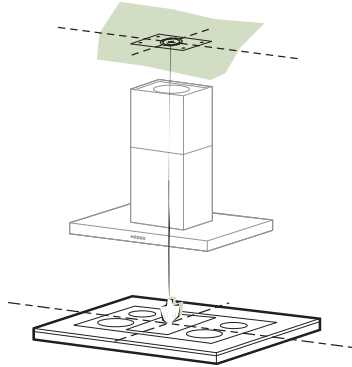
Ref.	Q.ty	Product Components
1	1	Hood Canopy complete with: Controls, Light, Filters
2	1	Telescopic chimney, made up of:
2.1	1	Upper chimney
2.2	1	Lower chimney
7.1	1	Telescopic frame complete with Suction fan, made up of:
7.1a	1	Upper frame
7.1b	1	Lower frame
9	1	Reduction flange \varnothing 150-120 mm
14.1	2	Air Outlet Connector Extension
15	1	Air Outlet Connector
25		Hose clamps (not supplied)

Ref.	Q.ty	Installation Components
7.3	1	Air Outlet Connector fixing bracket
11	4	Wall plugs \varnothing 10
12c	6	Screws 2.9 x 6.5
12e	2	Screws 2.9 x 9.5
12f	2	Screws M4 x 80
12g	4	Screws M6 x 80
12h	4	Screws 5.2 x 70
12q	4	Screws 3.5 x 9.5
21	1	Drilling template
22	8	Washers \varnothing 6.4
23	4	Nuts M6

Q.ty	Documentation
1	Instruction Manual



INSTALLATION



Drilling the Ceiling/shelf and fixing the frame

DRILLING THE CEILING/SHELF

- Use a plumb line to mark the centre of the hob on the ceiling/support shelf.
- Place the drilling template **21** provided on the ceiling/support shelf, making sure that the template is in the correct position by lining up the axes of the template with those of the hob.
- Mark the centres of the holes in the template.
- Drill the holes at the points marked:
 - For concrete ceilings, drill for plugs appropriate to the screw size.
 - For hollow brick ceilings with wall thickness of 20 mm: drill \varnothing 10 mm(immediately insert the Dowels **11** supplied).
 - For wooden beam ceilings, drill according to the wood screws used.
 - For wooden shelf, drill \varnothing 7 mm.
 - For the power supply cable feed, drill \varnothing 10 mm.
 - For the air outlet (Ducted Version), drill according to the diameter of the external air exhaust duct connection.
- Insert two screws of the following type, crossing them and leaving 4-5 mm from the ceiling:
 - For concrete ceilings, use the appropriate plugs for the screw size (not provided).
 - for Cavity ceiling with inner space, with wall thickness of approx. 20 mm, Screws **12h**, supplied.
 - For wooden beam ceilings, use 4 wood screws (not provided).
 - For wooden shelf, use 4 screws **12g** with washers **22** and nuts **23**, provided.

Fixing the frame

- Loosen the two screws fastening the lower chimney and remove this from the lower frame.
- Loosen the two screws fastening the upper chimney and remove this from the upper frame.

If you wish to adjust the height of the frame, proceed as follows:

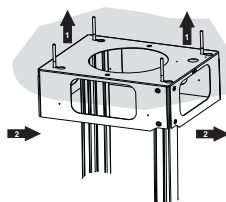
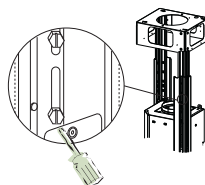
- Unfasten the metric screws joining the two columns, located at the sides of the frame.
- Adjust the frame to the height required, then refit all the screws removed as above.
- Insert the upper chimney stack from above, and leave it running free on the frame.
- Lift up the frame, fit the frame slots onto the screws up to the slot end positions.
- Tighten the two screws and fasten the other two screws provided with the hood.

Before tightening the screws completely it is possible to adjust the frame by turning it. Make sure that the screws do not come out of their seats in the slotted holes.

- The frame mountings must be secure to withstand the weight of the hood and any stresses caused by the occasional side thrust applied to the device.

On completion, check that the base is stable, even if the frame is subjected to bending.

- In all cases where the ceiling is not strong enough at the suspension point, the installer must provide strengthening using suitable plates and backing pieces anchored to the structurally sound parts.

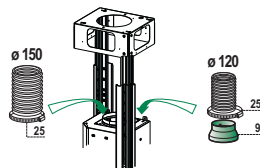


Connections

DUCTED VERSION AIR EXHAUST SYSTEM

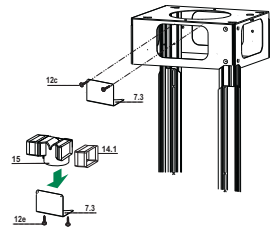
When installing the ducted version, connect the hood to the chimney using either a flexible or rigid pipe \varnothing 150 or 120 mm, the choice of which is left to the installer.

- To install a \varnothing 120 mm air exhaust connection, insert the reducer flange 9 on the hood body outlet.
- Fix the pipe in position using sufficient pipe clamps (not supplied).
- Remove any activated charcoal filters.



Air outlet – Recirculation Version

- Insert the Connector extensions **14.1** into the side of the Connector **15**.
- Insert the Connector **15** into the Support bracket **7.3** and fix it with the screws.
- Fasten the Support bracket **7.3**, fixing it to the upper part with the Screws.
- Make sure that the Connector extensions outlet **14.1** is in correspondence with the Chimney openings both horizontally and vertically.
- Join the Connector **15** to the Hood canopy outlet using a rigid or flexible pipe \varnothing 150 mm, selection of which is at the discretion of the installation technician.
- Make sure that the Activated charcoal odour filter has been fitted.

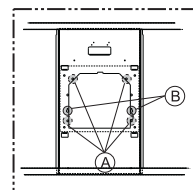
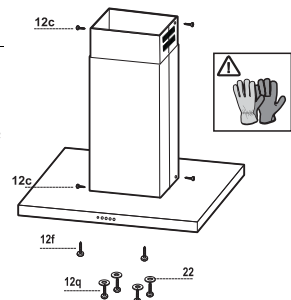


Flue assembly - Mounting the hood body

- Position the upper chimney section and fix the upper part to the frame using the 2 screws **12c** (2,9 x 6,5) provided.
- Similarly, position the lower chimney section and fix the lower part to the frame using the 2 screws **12c** (2,9 x 6,5) provided.

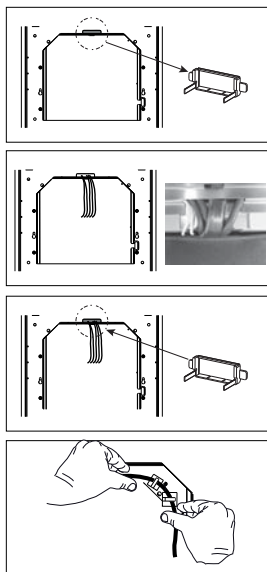
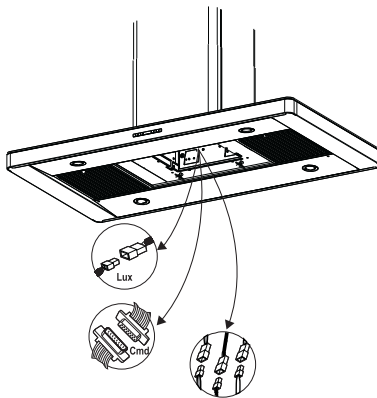
Before fixing the hood canopy to the frame:

- Screw the 2 screws **12f** half way into the holes provided in the sides of the bottom of the frame.
- Remove the grease filters from the hood canopy.
- Remove any activated charcoal filters.
- Lift the hood canopy and engage the screws **12f** in the slots (A) as far as they will go.
- Working from below, fix the hood canopy to the frame (B), using the 4 screws **12q** and 4 washers **22** provided, then tighten all the screws securely.

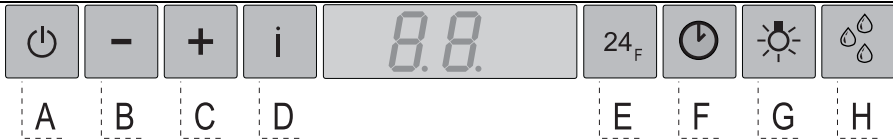


ELECTRICAL CONNECTION


- Connect the hood to the mains through a two-pole switch having a contact gap of at least 3 mm.
- Remove the grease filters (see paragraph Maintenance) being sure that the connector of the feeding cable is correctly inserted in the socket placed on the side of the fan.
- Connect the control connector **Cmd**.
- Connect the lights connector **Lux**.
- Connect the others 3 connectors inside the Hood respecting the colors.
- Remove the cap, pass all the wirings through the opening and refit the cap.
- Fix all the wires in the clamps already fitted inside the hood.
- For the recirculation version, fit the activated carbon odour filter.
- Replace the grease filters.



USE



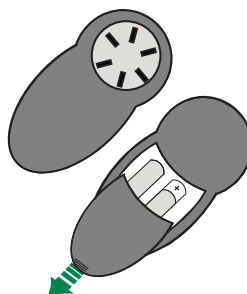
Control panel

Button	Function	Display
A	Turns the suction motor on and off at speed one.	Displays the set speed
B	Decreases the working speed.	Displays the set speed
C	Increases the working speed.	Displays the set speed
D	Activates Intensive speed from any other speed, including motor off. This speed is set to operate for 6 minutes, after which the system returns to the speed that was set before. Suitable to deal with maximum levels of cooking fumes.	Displays HI and the time remaining alternately, once a second.
	Press and hold the button for approximately 5 seconds, with all the loads turned off (Motor and Lights), to turn the Activated Charcoal Filter alarm on/off.	FC+Dot (Flashes twice)-Alarm Activated. FC+Dot (Flashes once)-Alarm Deactivated.
E	24H function Turns the motor on at speed one and effects one 10 minute extraction every hour.	Displays 24 and the dot at the bottom right flashes once a second, while the motor is running. It is disabled by pressing the button.
	When the filters alarm is triggered, the alarm can be reset by pressing and holding this button for approximately 3 seconds. These indications are only visible when the motor is turned off.	FF flashes three times. When the procedure terminates, the indication shown previously turns off: FG indicates the need to wash the metal grease filters. The alarm is triggered after the Hood has been in operation for 100 working hours. FC indicates the need to change the activated charcoal filters, and also to wash the metal grease filters. The alarm is triggered after the Hood has been in operation for 200 working hours.
F	Delay function Activate automatic switch-off with a 30' delay. Suitable to complete elimination of residual odours. It can be activated from any position and is deactivated by pressing the button or turning the motor off.	Displays the operating speed and the dot at the bottom right flashes once a second.
	Press and hold the button for approximately 5 seconds, with all the loads turned off (Motor and Lights), to turn the Remote control on/off.	IR+Dot (Flashes twice)-Alarm Activated. IR+Dot (Flashes once)-Alarm Deactivated.
G	Turns the lighting system on and off at maximum intensity.	-
	Press and hold the button for approximately 2 seconds, turns the lighting system on and off in Courtesy Light mode.	-
H	Activates / Deactivates the Anti-condensation heating elements (heating in 10 minutes).	The corresponding symbol flashes. 

REMOTE CONTROL (OPTIONAL)







The appliance can be controlled using a remote control powered by a 1.5 V carbon-zinc alkaline batteries of the standard LR03-AAA type (not included).

- Do not place the remote control near to heat sources.
- Used batteries must be disposed of in the proper manner.



Remote control panel

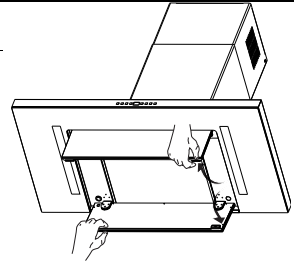


	Motor	Motor On / Off.
		Decreases the working speed each time it is pressed.
		Increases the working speed each time it is pressed.
	Intensive	Brief pressure: Activates/Deactivates the Intensive function.
	Anti-condensation	Long pressure: Activates/Deactivates the Anti-condensation heating elements.
	24H/ Delay	Brief pressure: Activates/Deactivates the Delay function: automatic switch-off with a 30' delay. The display shows the operating speed and the dot at the bottom right flashes once a second. Press and hold for 2 seconds to Activate/Deactivate the 24h function: this starts the motor at speed one and allows suction for 10 minutes every hour. The display shows the number 24 and the dot at the bottom right flashes once a second.
	Light	Brief pressure: Lights On / Off. Pressed for 2 Seconds: Courtesy lights On / Off.

MAINTENANCE

Opening Panel

- Open the Panel by pulling it.
- Clean the outside with a damp cloth and neutral detergent.
- Clean the inside using a damp cloth and neutral detergent; do not use wet cloths or sponges, or jets of water; do not use abrasive substances.



Metal grease filters

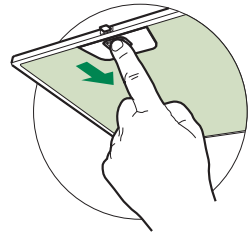
They can be washed in the dishwasher, and need to be cleaned whenever the **FG** sign appears on the display or at least once every 2 months use, or more frequently if use is particularly intensive.

Resetting the alarm signal

- Turn the Lights and the Suction motor off, then disable the 24h function, if enabled.
- Press button **E** (see the paragraph on Use).

Cleaning the Filters

- Open the Comfort panels by pulling on the recess.
- Remove the Filters one at a time, pushing them towards the back of the unit and at the same time pulling downward.
- Wash the Filters without bending them, and leave them to dry completely before replacing (If the surface of the filter changes colour as time goes by, this will have absolutely no effect on the efficiency of the filter itself.)
- Replace, taking care to ensure that the handle faces forwards.
- Close the Comfort panels.



Activated Charcoal Filter (Recirculation Version)

It cannot be washed or regenerated, and must be changed when the **FC** symbol on the display appears, or at least once every 4 months. The Alarm signal, if it has been activated, only appears when the Suction motor is turned on.

Activating the alarm signal

- In Recirculation Version Hoods, the Filter Saturation Alarm must be activated on installation or at a later date.
- Turn the Lights and the Suction Motor off.
- Press **D** and hold for **approximately 5 Seconds**:
 - The message **FC+Puntino** flashes twice, A.C. Filter saturation alarm **ACTIVATED**
 - The message **FC+Puntino** flashes once, A.C. Filter saturation alarm **DEACTIVATED**

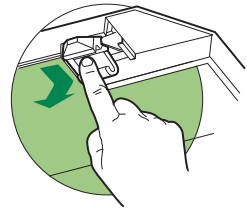
CHANGING THE ACTIVATED CHARCOAL FILTER

Resetting the alarm signal

- Turn the Lights and the Suction motor off, then disable the 24h function, if enabled.
- Press button **E** (see the paragraph on Use).

Changing the Filter

- Open the Comfort panels by pulling on the recess.
- Remove the Metal grease filters.
- Remove the saturated charcoal filter by releasing the fixing hooks.
- Fit the new filter and fasten it in its correct position.
- Replace the Metal grease filters.
- Close the Comfort panels.



Lighting unit

Warning: This appliance is fitted with a white LED lamp classed as 1M according to EN 60825-1: 1994 + A1:2002 + A2:2001 standards; maximum optical power emitted @439nm: 7μW. Do not look directly at the light through optical devices (binoculars, magnifying glasses...).

- For replacement contact technical support. ("To purchase contact technical support")



Franke S.p.a.
Via Pignolini,2
37019 Peschiera del Garda (VR)
www.franke.it

991.0351.106_ver6 - 150422