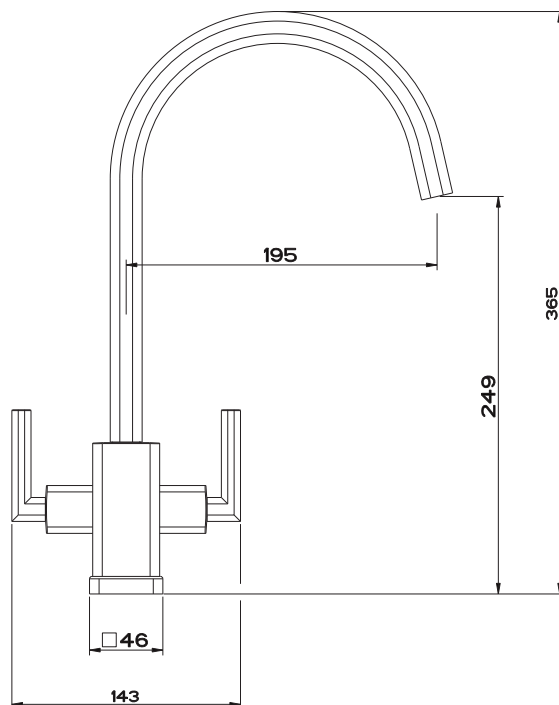


# FRANKE MYTHOS TAP (MTX/MTG/MTV)

Installation instructions



*Make  
it  
Wonderful*

**FRANKE**

## Technical Data

Minimum water pressure: 7.25 PSI (0.5 bar)  
Maximum water pressure: 75 PSI (5 bar)  
Maximum hot water temperature: 70°C  
Recommended hot water temperature: 65°C

**Note:** If these temperatures or water pressures are exceeded damage to the tap can result.

**A pressure reducing valve may be required to be fitted in high water pressure situations.**

NB If for any reason the spout is removed from the tap, care must be taken when reinserting the spout into the body to ensure that the Grub Screw is located in the split of the white PTFE ring.

## Attention

Before installing the new mixer it is essential that you thoroughly flush through the supply pipes in order to remove any remaining swarf, solder or other impurities.

Failure to carry out this simple procedure could cause problems or damage to the workings of the mixer.

Having first checked all new connections, turn on the mains stopcock, close all taps except the new mixer and as the system starts to refill check for leaks.

Once you have satisfied yourself that there are no leaks, switch on the water heating.

## Preparation

First shut off your water heating system then, with your mains stopcock closed, open the lowest hot and cold taps in the house and allow to run until the cold storage tank and pipes are empty (the hot water storage cylinder always remains full).

## Installation

First screw the threaded stud into the mixer body. Screw the tails into the mixer body and fully hand tighten.

After making any necessary alterations to existing pipework, pass the plinth over the tails and fit in position.

The shaped upstand on the plinth will locate in the tap body and the 'O'ring should be placed in the recess to make a seal with the sink.

When the tap is in position (with the cold side on the right when viewed from the front) slide the nylon bracing plate up to the underside of the sink together with the retaining plate, and secure by screwing the fixing nut finger tight.

Check that the mixer body and plinth are correctly positioned and fully tighten fixing nut.

It is recommended that 15mm x 15mm compression fittings be used to connect mixer to supply pipes. Cold is connected to the right and hot on the left when viewed from the front.

## Warning

These hints have been prepared for your guidance, you must exercise due care at all times. We do not accept responsibility for any problems that may occur through incorrect installation.

## How to care for your kitchen sink mixer

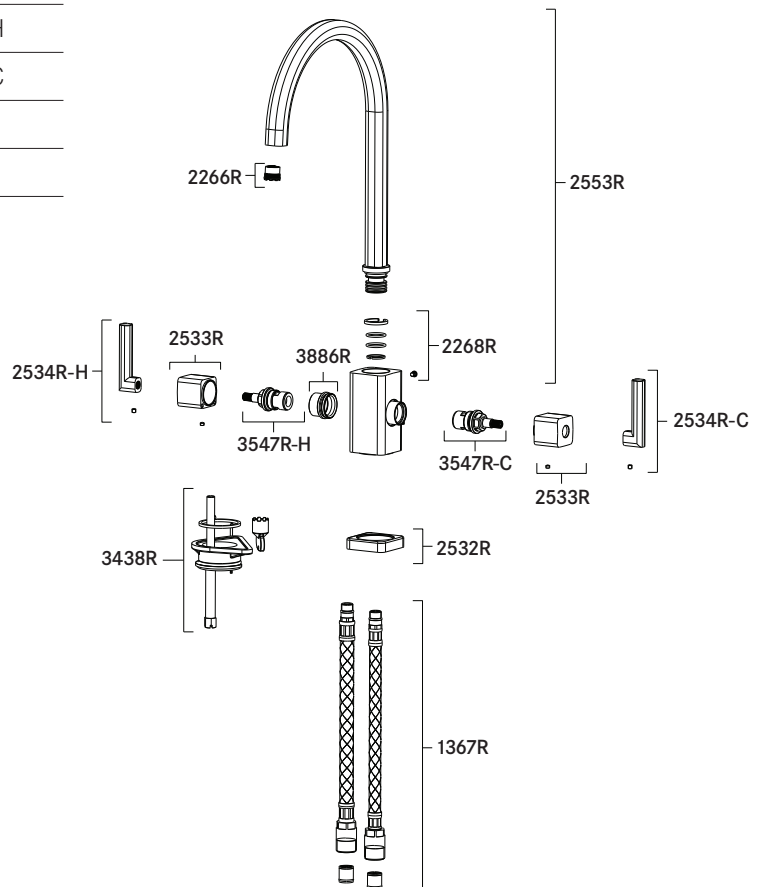
To maintain the appearance of this fitting, ensure it is cleaned only using a clean, soft damp cloth. A solution of warm water and mild liquid detergent may be used where necessary, and then the fitting rinsed thoroughly. Abrasive cleaners or acidic cleaners **MUST NOT BE USED** under any circumstances. Avoid contact with all solvents.

## Available finish

115.0049.965	Chrome
115.0049.966	SilkSteel

## Parts list as follows

FUN number	Part name	Part code
133.0068.765	Antisplash	2266R
133.0069.235	MTG-MTX spout Chrome	2553R CH
133.0069.236	MTG-MTX spout SilkSteel	2553R SS
133.0069.155	'O' ring kit	2268R
133.0068.857	MTG valve cover Graphite	2533R GRA
133.0083.976	MTV valve cover Black	2533R BLACK
133.0068.856	MTX valve cover Chrome	2533R CH
133.0068.858	MTX valve cover SilkSteel	2533R SS
133.0068.877	MTG-MTX hot handle Chrome	2534R-H CH
133.0068.875	MTG-MTX cold handle Chrome	2534R-C CH
133.0068.878	MTG-MTX hot handle SilkSteel	2534R-H SS
133.0068.876	MTG-MTX cold handle SilkSteel	2534R-C SS
133.0068.798	MTG-MTX plinth Chrome	2532R CH
133.0068.799	MTG-MTX plinth SilkSteel	2532R SS
133.0312.386	Bush for valve	3886R
133.0358.165	Hot valve	3547R-H
133.0358.167	Cold valve	3547R-C
133.0083.987	Fixing kit	3438R
133.0069.185	Flexi-tails	1367R



## Guarantee

Your Franke mixer has been manufactured to the high standard you would expect of any Franke product but in the unlikely event that you should experience any defect in the materials or workmanship within one year of purchase, we will replace the faulty part free of charge. This is provided the mixer has only been used for normal domestic purposes in the UK and that the care, installation and maintenance instructions have been observed.

You should also retain your dated invoice as proof of purchase to validate any claims under our guarantee.

This one year guarantee is extended to five years in the case of the valve mechanism.

Normal wear and tear is excluded from the guarantee.

Decorative surface finishes are guaranteed for one year from the date of purchase provided our advice concerning care has been observed and no scouring agents have been used.

Scuffs and scratches caused by improper installation or accidental damage are not covered by this guarantee. Neither are slight shade variations or any damage or defect caused by incorrect installation or abuse of the fitting.

## Service

For spare parts, servicing or any other queries, visit [www.franke.co.uk](http://www.franke.co.uk)

Franke UK Limited  
West Park, MIOC  
Styal Road  
Manchester  
M22 5WB  
Tel: +44 (0)161 436 6280  
Fax: +44 (0)161 436 2180  
Email [info.uk@franke.com](mailto:info.uk@franke.com)

For spare parts, servicing or any other queries, visit [www.franke.co.uk](http://www.franke.co.uk)

## Optional tap brace

A large or heavy tap fitted to a stainless steel inset sink may occasionally flex the sink. To counteract this, Franke has developed an innovative tap brace that can be purchased separately. The tap brace connects the tap to the worktop and not just to the sink, offering additional support to the tap and much more stability when fitted. The tap brace has a variable collar to ensure it will fit most models of tap and can be used on any inset stainless steel sink.

The Franke tap brace is available on request from most kitchen retailers.

