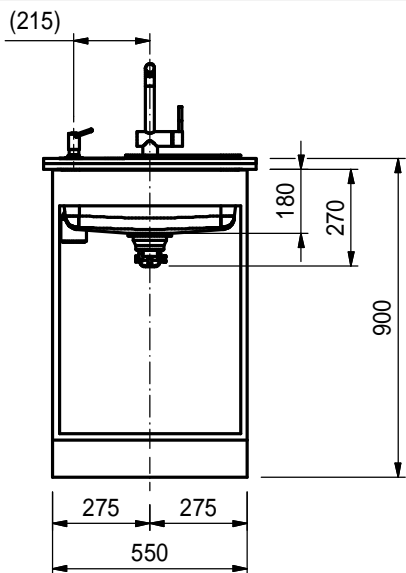
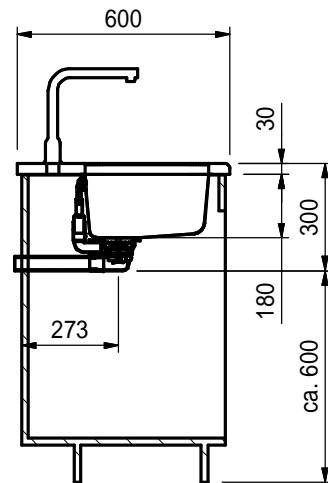
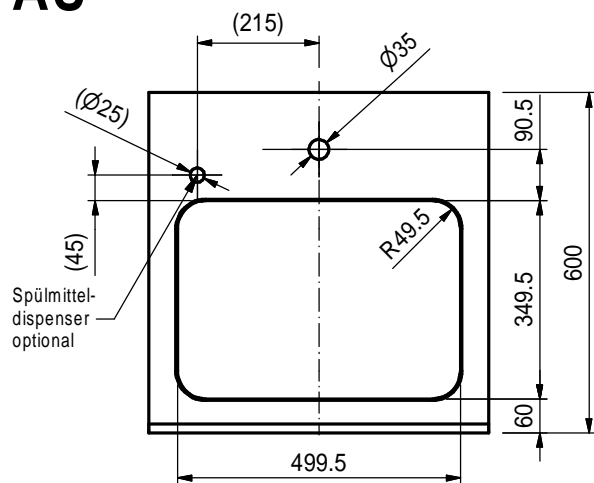
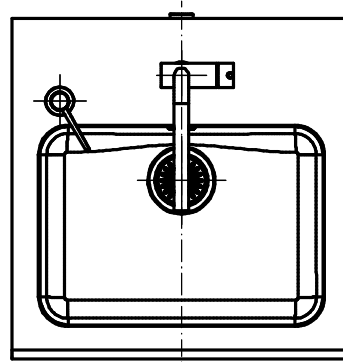
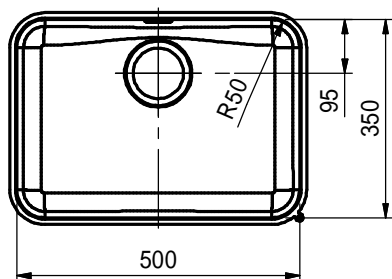
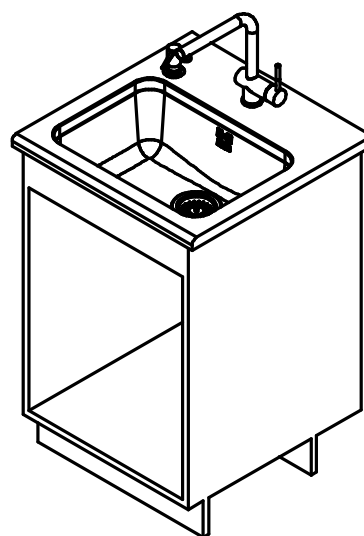


AN**SS****AU****PL****DS****3D**

Department	Entwicklung	
Project	Largo	
Collection	LAX110-50	
Drawn by	CP003	30.05.2006
<small>These drawings and specifications are the property of NIRO-Plan AG and shall not be reproduced, copied or transferred to any third party without the prior written permission of NIRO-Plan AG, Aarburg, Switzerland</small>		

FRANKE
 Franke Küchentechnik AG
 CH-4663 Aarburg
 Telefon: +41 62 787 31 31
 Telefax: +41 62 787 30 18
 E-Mail: ktech@franke.com
 Internet: www.kl.franke.ch

LAX110-50
 Verkaufsunterlagen

Format	Drawing No.	Rev.	Sheet
A4	0056-144696		1