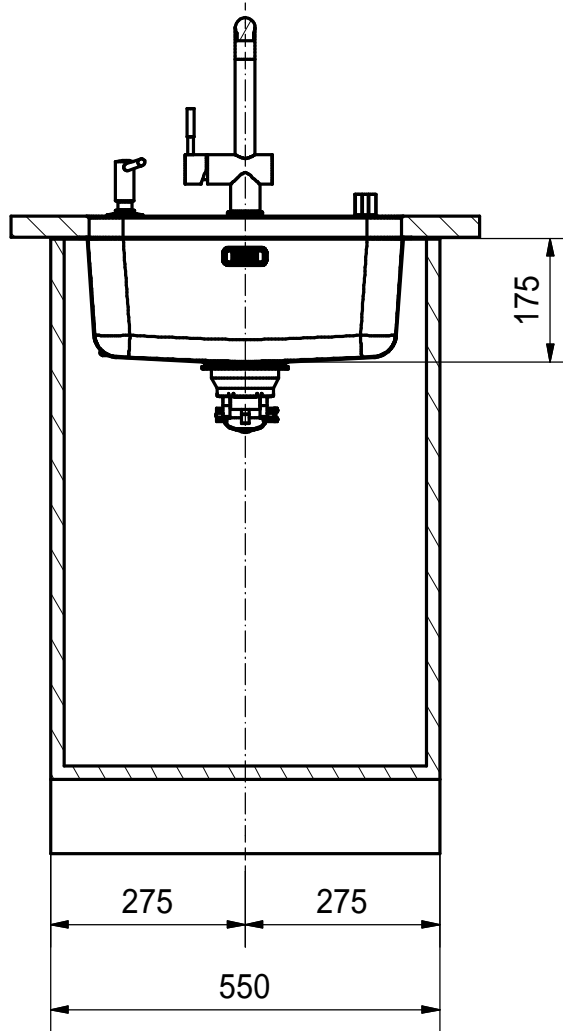

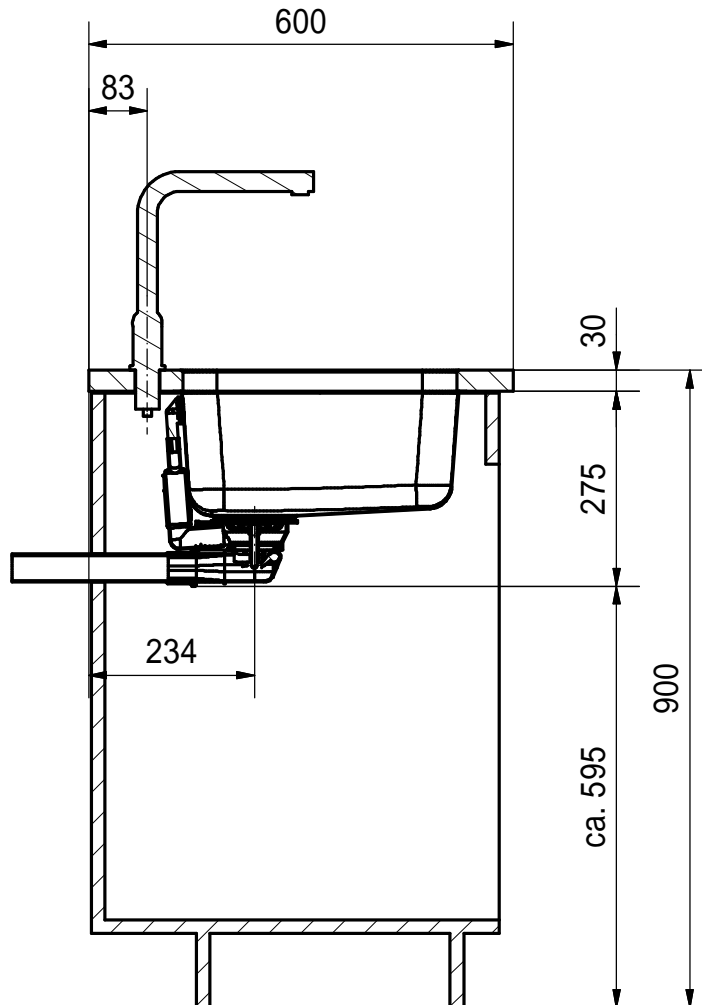


AN



Department	Entwicklung		 Franke Küchentechnik AG CH-4663 Aarburg Telefon: +41 62 787 31 31 Telefax: +41 62 787 30 18 E-Mail: kch@franke.com Internet: www.franke.com	LAX 110 45		Format	Drawing No.	Rev.	Sheet
Project	Largo			Verkaufsunterlagen					
Collection	LAX 110 45			A4	0056-180544				
Drawn by	KD036	01.12.2008							
These drawings and specifications are the property of NIRO-Plan AG and shall not be reproduced, copied or transferred to any third party without the prior written permission of NIRO-Plan AG, Aarburg, Switzerland									

SS



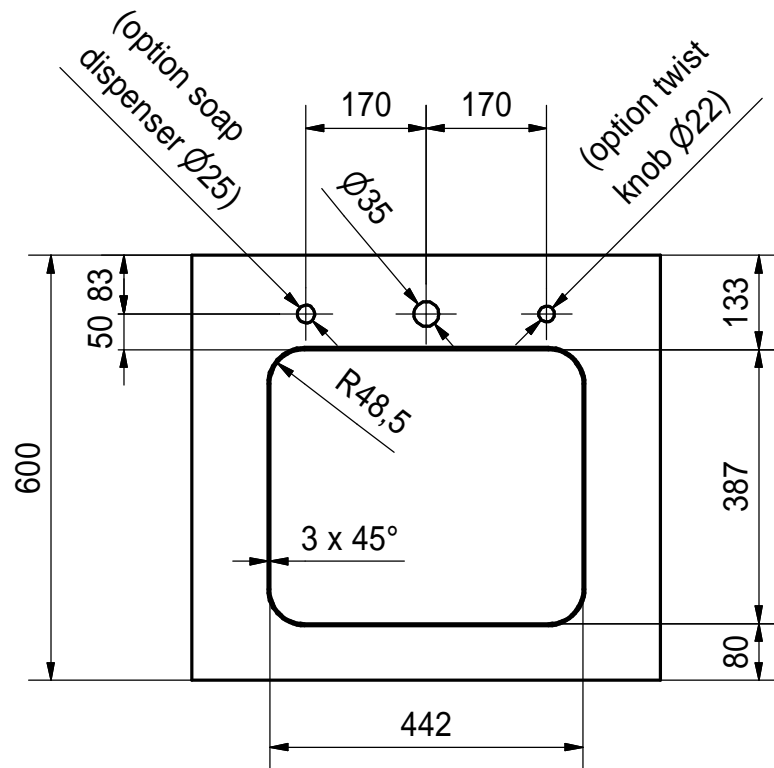
Department	Entwicklung	
Project	Largo	
Collection	LAX 110 45	
Drawn by	KD036	01.12.2008
<small>These drawings and specifications are the property of NIRO-Plan AG and shall not be reproduced, copied or transferred to any third party without the prior written permission of NIRO-Plan AG, Aarburg, Switzerland</small>		


FRANKE
Franke Küchentechnik AG
CH-4663 Aarburg
Telefon: +41 62 787 31 31
Telefax: +41 62 787 30 18
E-Mail: ktch@franke.com
Internet: www.franke.com

LAX 110 45
Verkaufsunterlagen

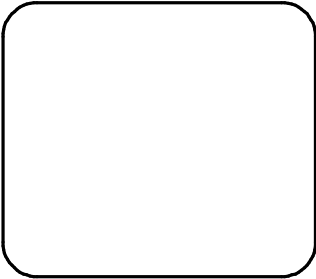
Format	Drawing No.	Rev.	Sheet
A4	0056-180544		2


AU



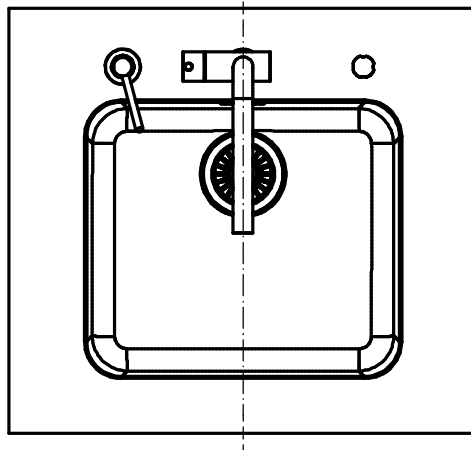
Department	Entwicklung		 Franke K�chentechnik AG CH-4663 Aarburg Telefon: +41 62 787 31 31 Telefax: +41 62 787 30 18 E-Mail: ktch@franke.com Internet: www.franke.com	LAX 110 45 Verkaufsunterlagen		Format	Drawing No.	Rev.	Sheet
Project	Largo								
Collection	LAX 110 45			A4	0056-180544		3		
Drawn by	KD036	01.12.2008							
<small>These drawings and specifications are the property of NIRO-Plan AG and shall not be reproduced, copied or transferred to any third party without the prior written permission of NIRO-Plan AG, Aarburg, Switzerland</small>									


CNC



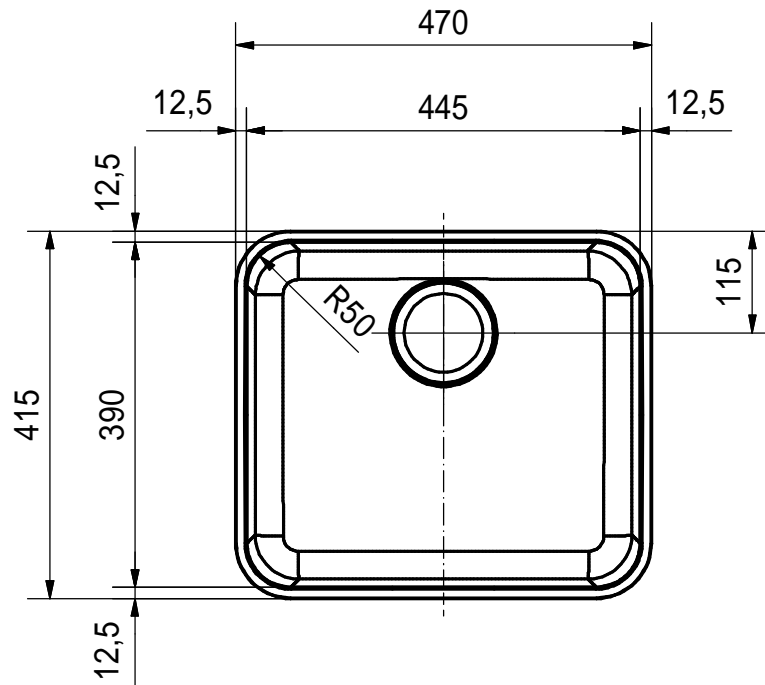
Department	Entwicklung		 Franke Küchentechnik AG CH-4663 Aarburg Telefon: +41 62 787 31 31 Telefax: +41 62 787 30 18 E-Mail: ktch@franke.com Internet: www.franke.com	LAX 110 45 Verkaufsunterlagen		Format	Drawing No.	Rev.	Sheet
Project	Largo								
Collection	LAX 110 45			A4	0056-180544		4		
Drawn by	KD036	01.12.2008							
<small>These drawings and specifications are the property of NIRO-Plan AG and shall not be reproduced, copied or transferred to any third party without the prior written permission of NIRO-Plan AG, Aarburg, Switzerland</small>									

PL



Department	Entwicklung		 Franke Küchentechnik AG CH-4663 Aarburg Telefon: +41 62 787 31 31 Telefax: +41 62 787 30 18 E-Mail: ktch@franke.com Internet: www.franke.com	LAX 110 45 Verkaufsunterlagen		Format	Drawing No.	Rev.	Sheet
Project	Largo					A4	0056-180544		5
Collection	LAX 110 45								
Drawn by	KD036	01.12.2008							
These drawings and specifications are the property of NIRO-Plan AG and shall not be reproduced, copied or transferred to any third party without the prior written permission of NIRO-Plan AG, Aarburg, Switzerland									

DS



Department	Entwicklung	
Project	Largo	
Collection	LAX 110 45	
Drawn by	KD036	01.12.2008
<small>These drawings and specifications are the property of NIRO-Plan AG and shall not be reproduced, copied or transferred to any third party without the prior written permission of NIRO-Plan AG, Aarburg, Switzerland</small>		

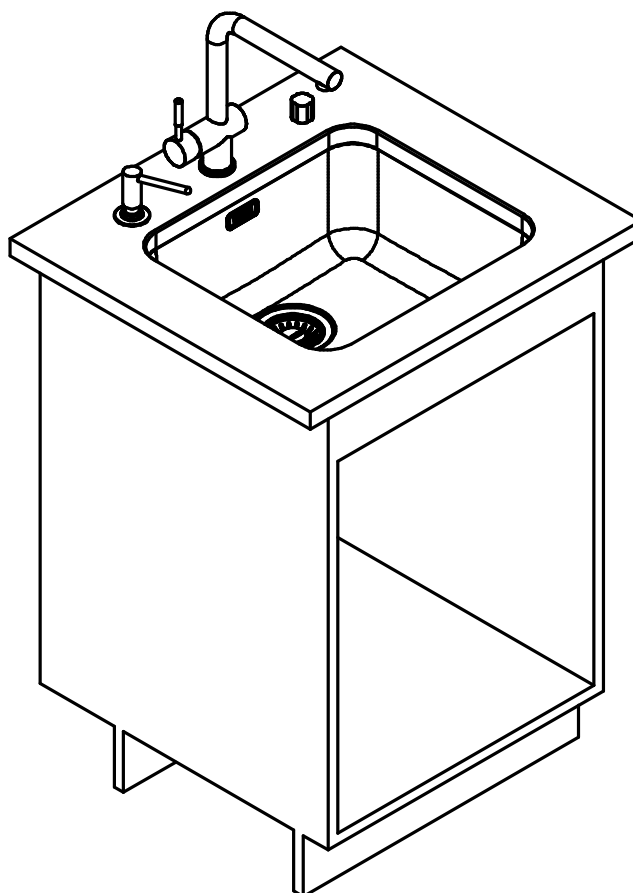
FRANKE
Franke Küchentechnik AG
CH-4663 Aarburg
Telefon: +41 62 787 31 31
Telefax: +41 62 787 30 18
E-Mail: ktch@franke.com
Internet: www.franke.com


LAX 110 45

Verkaufsunterlagen

Format	Drawing No.	Rev.	Sheet
A4	0056-180544		6

ISO



Department	Entwicklung		 Franke Küchentechnik AG CH-4663 Aarburg Telefon: +41 62 787 31 31 Telefax: +41 62 787 30 18 E-Mail: ktch@franke.com Internet: www.franke.com	LAX 110 45 Verkaufsunterlagen		Format	Drawing No.	Rev.	Sheet
Project	Largo					A4	0056-180544		7
Collection	LAX 110 45								
Drawn by	KD036	01.12.2008							
<small>These drawings and specifications are the property of NIRO-Plan AG and shall not be reproduced, copied or transferred to any third party without the prior written permission of NIRO-Plan AG, Aarburg, Switzerland</small>									