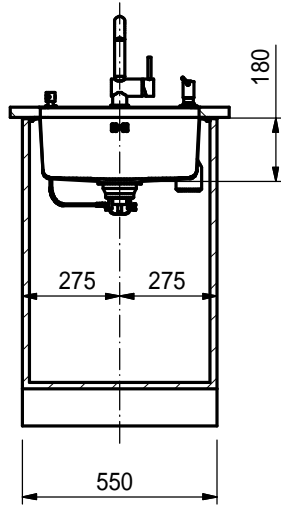
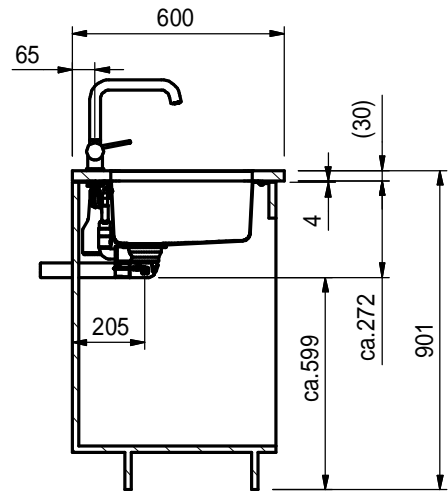
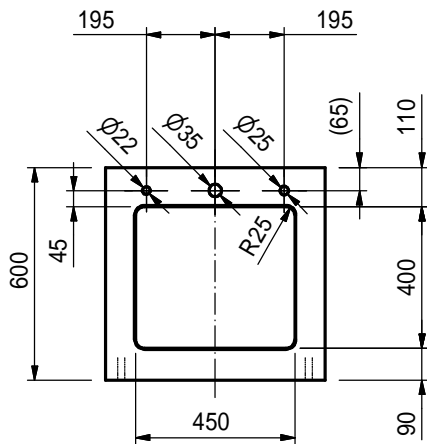
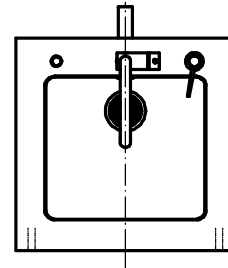
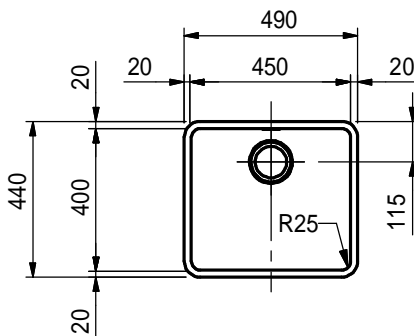
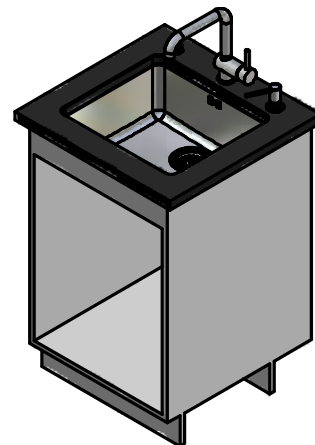


**AN****SS****AU****PL****DS****3D**

Department	Entwicklung	
Project	Projekt KBX	
Collection	KBX 110	
Drawn by	MN000	14.12.2004
These drawings and specifications are the property of NIRO-Plan AG and shall not be reproduced, copied or transferred to any third party without the prior written permission of NIRO-Plan AG, Aarburg, Switzerland		

**FRANKE**

Franke Küchentechnik AG  
 CH-4663 Aarburg  
 Telefon: +41 62 787 31 31  
 Telefax: +41 62 787 30 18  
 E-Mail: [ktech@franke.com](mailto:ktech@franke.com)  
 Internet: [www.kl.franke.ch](http://www.kl.franke.ch)

**Verkaufsunterlagen****KBX 110 45**

Format	Drawing No.	Rev.	Sheet
<b>A4</b>	<b>0056-113586</b>	<b>C</b>	<b>1</b>