

**Instructions for use and installation**

Cooker Hood

**Istruzioni per l'uso e l'installazione**

Cappa

**Mode d'emploi et installation**

Hotte de Cuisine

**Bedienungsanleitung und Einrichtung**

Dunstabzugshaube

**Kullanım ve montaj talimatları**

Davlumbaz

FGL 915 I XS

INDEX

EN

RECOMMENDATIONS AND SUGGESTIONS	3
CHARACTERISTICS	4
INSTALLATION	6
USE	10
MAINTENANCE	11

INDICE

IT

CONSIGLI E SUGGERIMENTI	12
CARATTERISTICHE	13
INSTALLAZIONE	15
USO	19
MANUTENZIONE	20

SOMMAIRE

FR

CONSEILS ET SUGGESTIONS	21
CARACTERISTIQUES	22
INSTALLATION	24
UTILISATION	28
ENTRETIEN	29

INHALTSVERZEICHNIS

DE

EMPFEHLUNGEN UND HINWEISE	30
CHARAKTERISTIKEN	31
MONTAGE	33
BEDIENUNG	37
WARTUNG	38

İÇERİKLER

TR

TAVSİYELER VE ÖNERİLER	39
ÖZELLİKLER	40
MONTAJ	42
KULLANIM	46
BAKIM	47

RECOMMENDATIONS AND SUGGESTIONS

⚠ The Instructions for Use apply to several versions of this appliance. Accordingly, you may find descriptions of individual features that do not apply to your specific appliance.

INSTALLATION

- The manufacturer will not be held liable for any damages resulting from incorrect or improper installation.
- The minimum safety distance between the cooker top and the extractor hood is 650 mm (some models can be installed at a lower height, please refer to the paragraphs on working dimensions and installation).
- Check that the mains voltage corresponds to that indicated on the rating plate fixed to the inside of the hood.
- For Class I appliances, check that the domestic power supply guarantees adequate earthing.

Connect the extractor to the exhaust flue through a pipe of minimum diameter 120 mm. The route of the flue must be as short as possible.


- Do not connect the extractor hood to exhaust ducts carrying combustion fumes (boilers, fireplaces, etc.).
- If the extractor is used in conjunction with non-electrical appliances (e.g. gas burning appliances), a sufficient degree of aeration must be guaranteed in the room in order to prevent the backflow of exhaust gas. The kitchen must have an opening communicating directly with the open air in order to guarantee the entry of clean air.

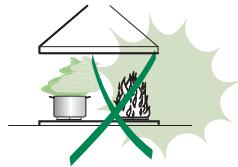
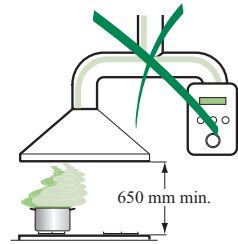
USE

- The extractor hood has been designed exclusively for domestic use to eliminate kitchen smells.
- Never use the hood for purposes other than for which it has been designed.
- Never leave high naked flames under the hood when it is in operation.
- Adjust the flame intensity to direct it onto the bottom of the pan only, making sure that it does not engulf the sides.
- Deep fat fryers must be continuously monitored during use: overheated oil can burst into flames.
- Do not flambè under the range hood; risk of fire
- This appliance is not intended for use by persons (including children) with reduced physical, sensory or mental capabilities, or lack of experience and knowledge, unless they have been given supervision or instruction concerning use of the appliance by a person responsible for their safety.
- Children should be supervised to ensure that they do not play with the appliance.

MAINTENANCE

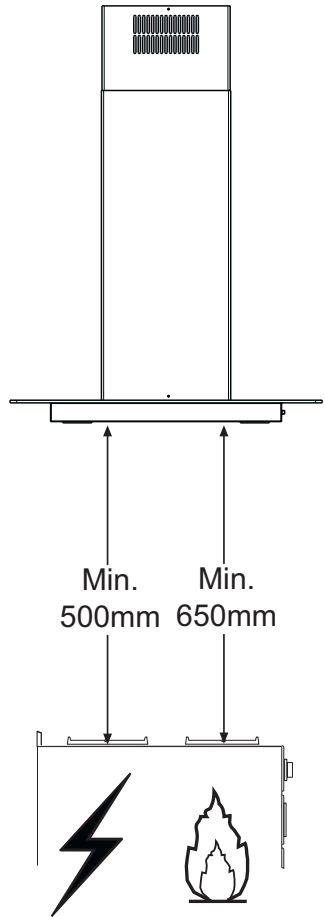
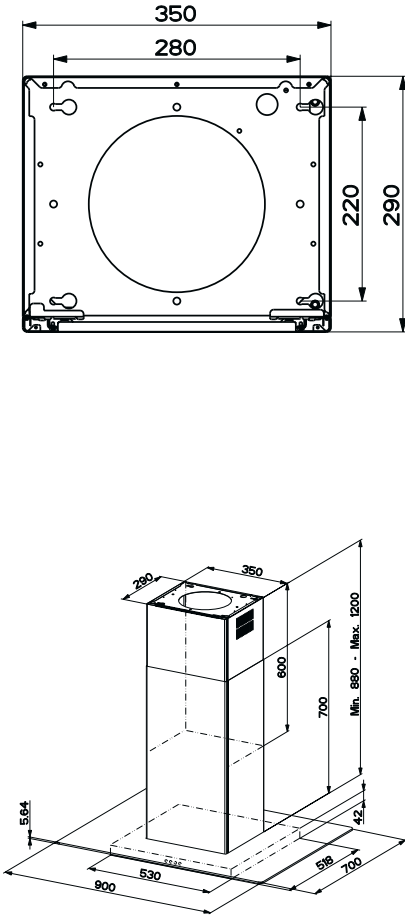
- Switch off or unplug the appliance from the mains supply before carrying out any maintenance work.
- Clean and/or replace the Filters after the specified time period (Fire hazard).
- Clean the hood using a damp cloth and a neutral liquid detergent.

The symbol  on the product or on its packaging indicates that this product may not be treated as household waste. Instead it shall be handed over to the applicable collection point for the recycling of electrical and electronic equipment. By ensuring this product is disposed of correctly, you will help prevent potential negative consequences for the environment and human health, which could otherwise be caused by inappropriate waste handling of this product. For more detailed information about recycling of this product, please contact your local city office, your household waste disposal service or the shop where you purchased the product.



CHARACTERISTICS

Dimensions

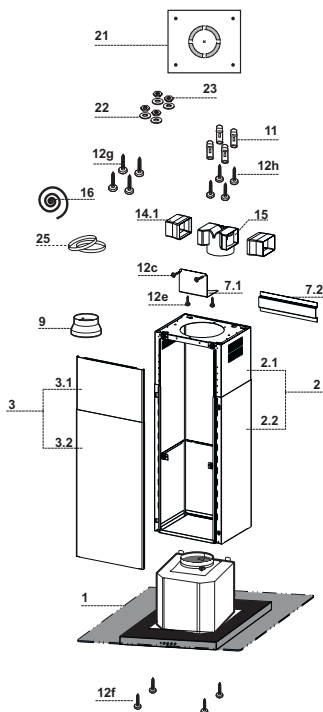


Components

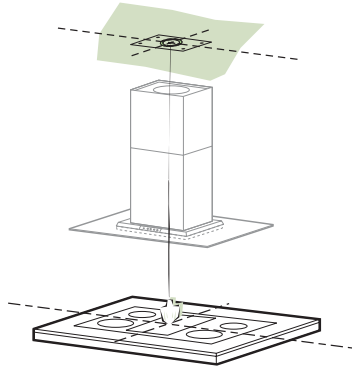
Ref.	Q.ty	Product Components
1	1	Hood Canopy complete with: Controls, Light, Filters
2	1	Telescopic chimney, made up of:
2.1	1	Upper chimney
2.2	1	Lower chimney
3	1	Telescopic panel, made up of:
3.1	1	Upper panel
3.2	1	Lower panel
9	1	Reduction flange \varnothing 150-120 mm
14.1	1	Air Outlet Connector Extension
15	1	Air Outlet Connector
16	1	Novastick tape
25		Hose clamps (not supplied)

Ref.	Q.ty	Installation Components
7.1	1	Air outlet connector fixing bracket
7.2	1	Telescopic chimney fixing bracket
11	4	Wall plugs \varnothing 10
12c	2	Screws 2.9 x 6.5
12e	2	Screws 2.9 x 9.5
12f	4	Screws M4 x 80
12g	4	Screws M6 x 80
12h	4	Screws 5.2 x 70
21	1	Drilling template
22	4	Washers \varnothing 6.4
23	4	Nuts M6

Q.ty	Documentation
1	Instruction Manual



INSTALLATION



Drilling the Ceiling/shelf and fixing the frame

DRILLING THE CEILING/SHELF

- Use a plumb line to mark the centre of the hob on the ceiling/support shelf.
- Place the drilling template **21** provided on the ceiling/support shelf, making sure that the template is in the correct position by lining up the axes of the template with those of the hob.
- Mark the centres of the holes in the template.
- Drill the holes at the points marked:
 - For concrete ceilings, drill for plugs appropriate to the screw size.
 - For hollow brick ceilings with wall thickness of 20 mm: drill \varnothing 10 mm(immediately insert the Dowels **11** supplied).
 - For wooden beam ceilings, drill according to the wood screws used.
 - For wooden shelf, drill \varnothing 7 mm.
 - For the power supply cable feed, drill \varnothing 10 mm.
 - For the air outlet (Ducted Version), drill according to the diameter of the external air exhaust duct connection.
- Insert two screws of the following type, crossing them and leaving 4-5 mm from the ceiling:
 - For concrete ceilings, use the appropriate plugs for the screw size (not provided).
 - for Cavity ceiling with inner space, with wall thickness of approx. 20 mm, Screws **12h**, supplied.
 - For wooden beam ceilings, use 4 wood screws (not provided).
 - For wooden shelf, use 4 screws **12g** with washers **22** and nuts **23**, provided.

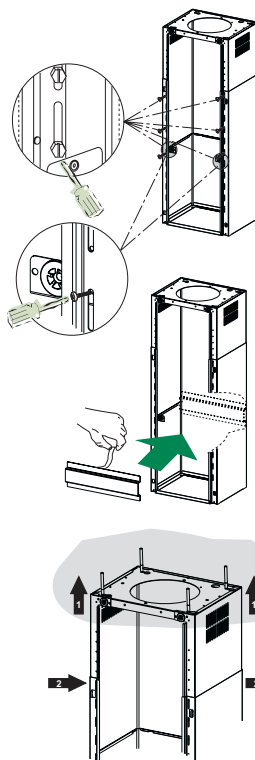
Fixing the Frame/Chimney

Should it be necessary to adjust the height of the frame, proceed as follows:

- Unfasten the metric screws joining the two opposite parts that can be seen from the front;
- Adjust the height of the frame as required, then replace the screws removed as above, making sure that you insert 2 of them close to the panel lock;
- Lift the frame, insert the slots onto the screws and slide them until they lock;
- Tighten the two screws and insert the other two screws provided.
- Take the telescopic chimney locking bracket **7.2**, remove the film from the double sided adhesive and fix it inside the frame so as to hold it more firmly.

Before final locking of the screws it is possible to make small adjustments to the frame, making sure that the screws do not come out of the adjustment slot.

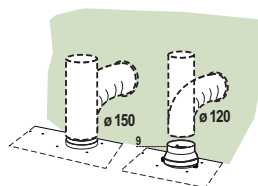
- The Frame must be securely fastened both due to the weight of the Hood and the stress caused by occasional sideways pressure on the Appliance when in position. When fastened, check that the base is stable even when the Frame is subjected to bending.
- In all cases where the Ceiling is not sufficiently strong at the point of suspension, the Installation technician must strengthen it with suitable plates and counterplates, anchored to structurally sound elements.



Ducted version air exhaust system Connection

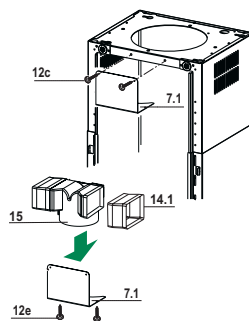
When installing the ducted version, connect the hood to the chimney using either a flexible or rigid pipe \varnothing 150 or 120 mm, the choice of which is left to the installer.

- To install a \varnothing 120 mm air exhaust connection, insert the reducer flange **9** on the hood body outlet.
- Fix the pipe using the pipe clamps **25** (not provided).
- Remove any activated charcoal filters.



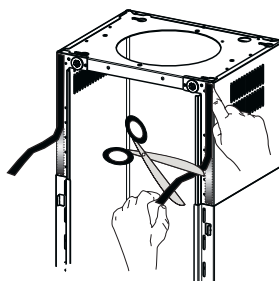
Air outlet – Recirculation Version

- Insert the Connector extensions **14.1** into the side of the Connector **15**.
- Insert the Connector **15** into the Support bracket **7.1** and fix it with the screws.
- Fasten the Support bracket **7.1**, fixing it to the upper part with the Screws.
- Make sure that the Connector extensions outlet **14.1** is in correspondence with the Chimney openings both horizontally and vertically.
- Join the Connector **15** to the Hood canopy outlet using a rigid or flexible pipe \varnothing 150 mm, selection of which is at the discretion of the installation technician.
- Make sure that the Activated charcoal odour filter has been fitted.



Application of Novastick Tape

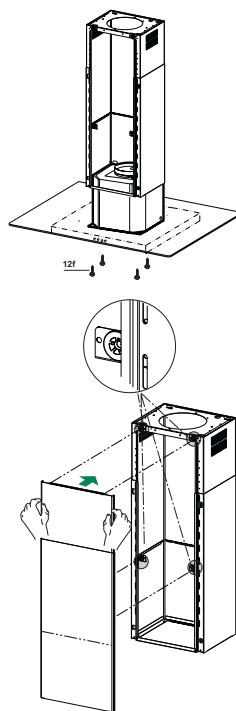
- Apply the Novastick tape **16** to the front edge of the Upper Chimney from the top part down to the start of the Lower Chimney.



Fitting the Panel and Fixing the Hood Canopy

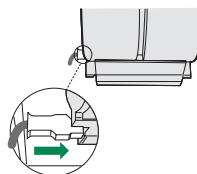
Before fixing the Hood Canopy to the Frame:

- Remove the Grease filters from the Hood Canopy;
- Remove any Activated charcoal filters.
- Working from below, fix the Hood canopy to the Frame provided, using the 4 screws **12f** (M6 x 10) provided.
- Then hook the upper part of the Panel **3**, adjusted to size, to the rubber supports in the upper part and in the lower part of the Frame.
- Slide the lower part of the Panel **3** until its metal tabs slot into the slots in the frame;

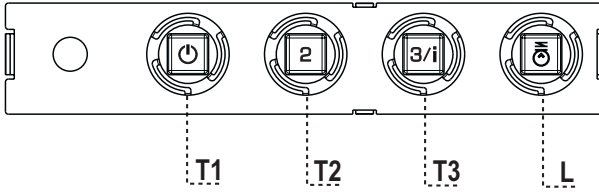


ELECTRICAL CONNECTION

- Connect the hood to the mains through a two-pole switch having a contact gap of at least 3 mm.
- Remove the grease filters (see paragraph Maintenance) being sure that the connector of the feeding cable is correctly inserted in the socket placed on the side of the fan.



USE



Control panel

BUTTON	LED	FUNCTIONS
T1 Speed	On	Turns the Motor on at Speed one. Turns the Motor off.
T2 Speed	On	Turns the Motor on at Speed two.
T3 Speed	Fixed	When pressed briefly, turns the Motor on at Speed three.
	Flashing	Pressed for 2 Seconds. Activates Speed four with a timer set to 10 minutes, after which it returns to the speed that was set previously. Suitable to deal with maximum levels of cooking fumes.
L Light		Turns the Lighting System on and off.

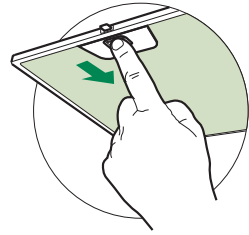
Warning: Button **T1** turns the motor off, after first passing to speed one.

MAINTENANCE

Grease filters

CLEANING METAL SELF- SUPPORTING GREASE FILTERS

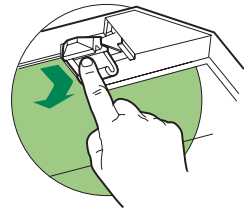
- The filters must be cleaned every 2 months of operation, or more frequently for particularly heavy usage, and can be washed in a dishwasher.
- Remove the filters one at a time by pushing them towards the back of the group and pulling down at the same time.
- Wash the filters, taking care not to bend them. Allow them to dry before refitting.
- When refitting the filters, make sure that the handle is visible on the outside.



Activated charcoal filter (Recirculation version)

REPLACING THE ACTIVATED CHARCOAL FILTER

- The filter is not washable and cannot be regenerated, and must be replaced approximately every 4 months of operation, or more frequently for particularly heavy usage.
- Remove the metal grease filters.
- Remove the saturated activated carbon filter by releasing the fixing hooks.
- Fit the new filter by hooking it into its seating.
- Refit the metal grease filters.

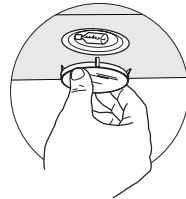


Lighting

LIGHT REPLACEMENT

20 W halogen light.

- Remove the snap-on lamp cover by levering it from under the metal ring, supporting it with one hand.
- Remove the halogen lamp from the lamp holder by pulling gently.
- Replace the lamp with a new one of the same type, making sure that you insert the two pins properly into the housings on the lamp holder.
- Replace the snap-on lamp cover.





Franke S.p.a.
Via Pignolini,2
37019 Peschiera del Garda (VR)
www.franke.it

436004901_ver1