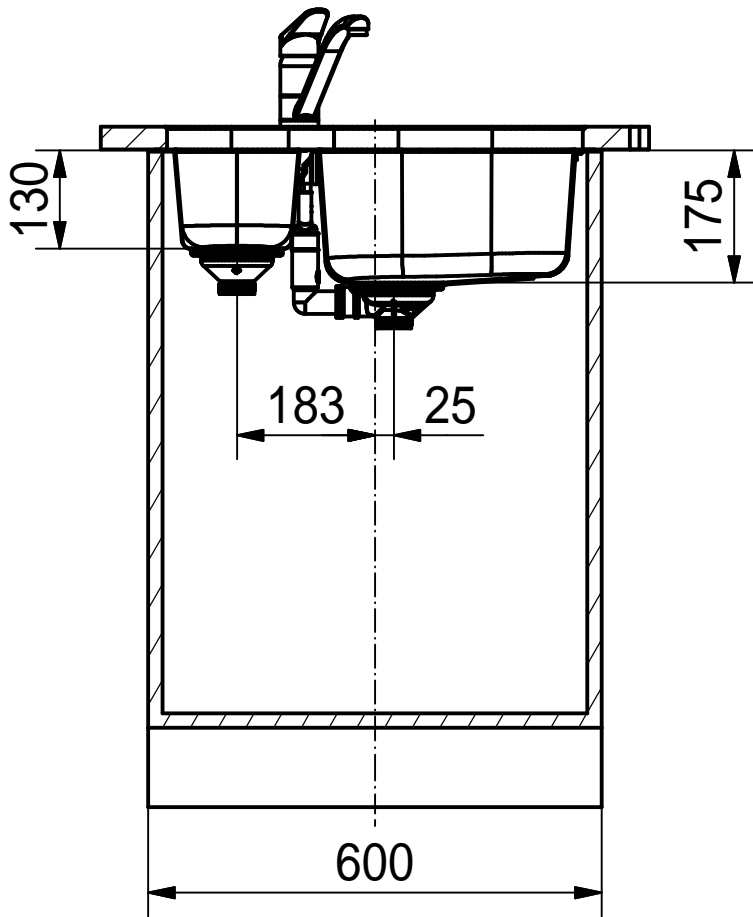


DF



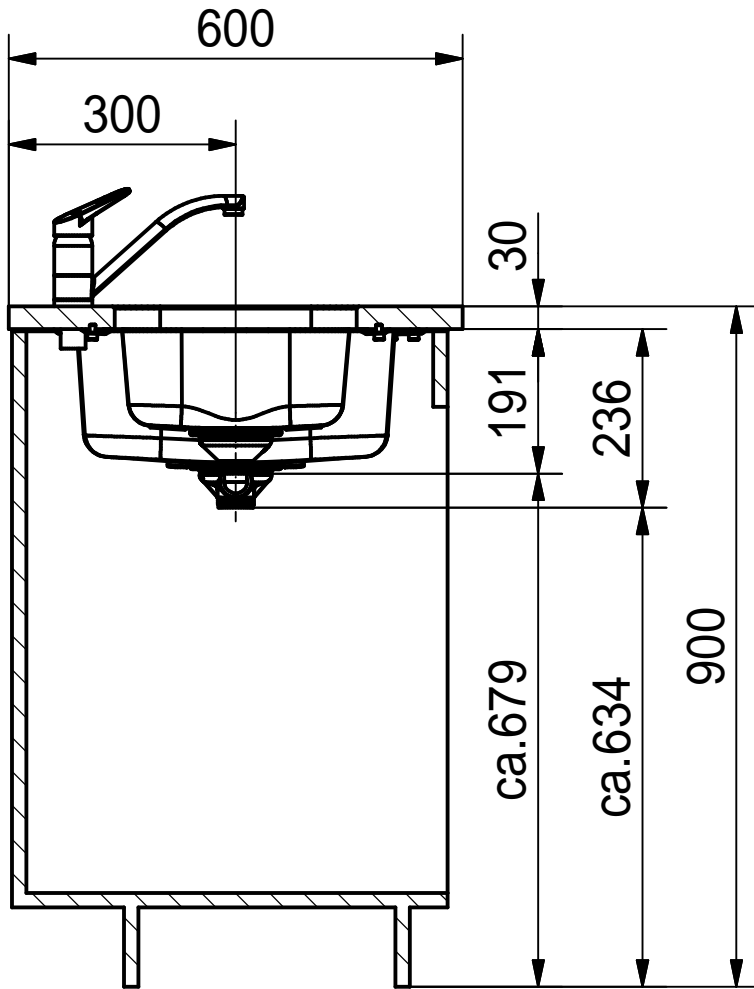
Drawing No.	0056-187043	Revision	A
Drawn Date	02.12.2009		
<small>These drawings and specifications are the property of NIRO-Plan AG and shall not be reproduced, copied or transferred to any third party without the prior written permission of NIRO-Plan AG, Aarburg, Switzerland</small>			

Franke K uchentechnik AG
CH-4663 Aarburg
Phone: +41 62 787 31 31
Internet: www.franke.com

CPX160UK
installing document

Sheet	Sheets
1	6

DS



Drawing No.	0056-187043	Revision	A
Drawn Date	02.12.2009		
These drawings and specifications are the property of NIRO-Plan AG and shall not be reproduced, copied or transferred to any third party without the prior written permission of NIRO-Plan AG, Aarburg, Switzerland			

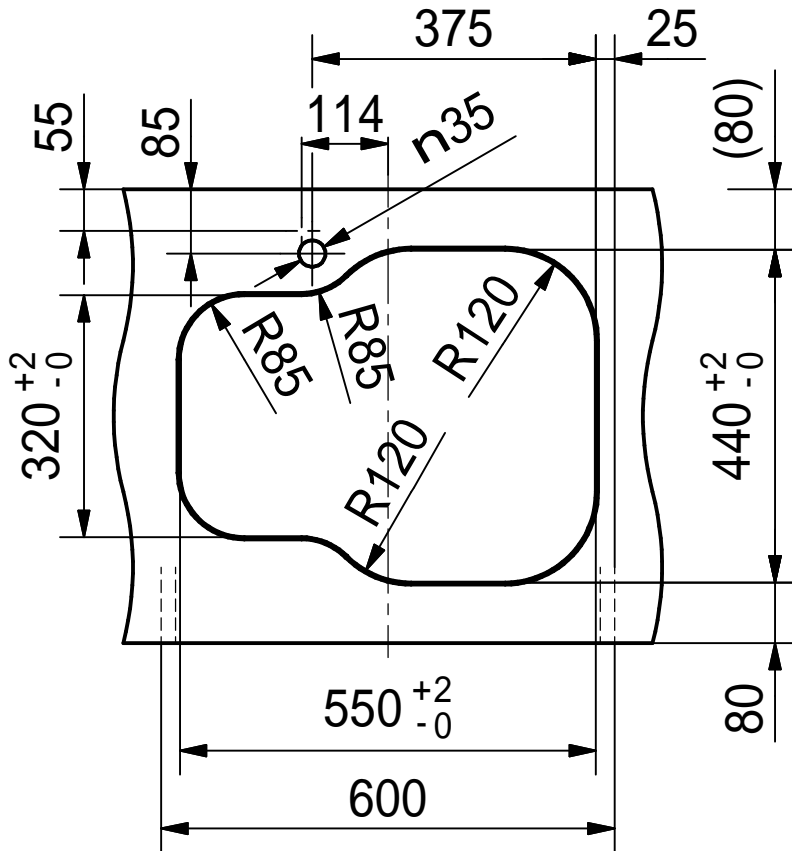
Franke Küchentechnik AG
CH-4663 Aarburg
Phone: +41 62 787 31 31
Internet: www.franke.com

CPX160UK

installing document

Sheet	Sheets
2	6

CO



Drawing No.	0056-187043	Revision	A
Drawn Date	02.12.2009		
<small>These drawings and specifications are the property of NIRO-Plan AG and shall not be reproduced, copied or transferred to any third party without the prior written permission of NIRO-Plan AG, Aarburg, Switzerland</small>			

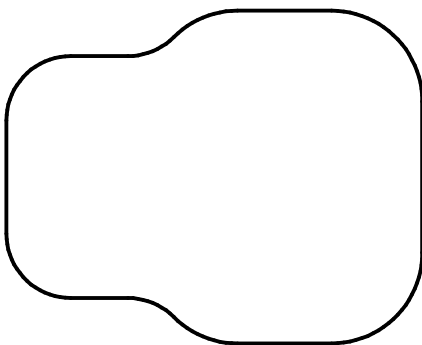
Franke Küchentechnik AG
 CH-4663 Aarburg
 Phone: +41 62 787 31 31
 Internet: www.franke.com

CPX160UK

installing document

Sheet	Sheets
3	6

CNC



Drawing No.	0056-187043	Revision	A
Drawn Date	02.12.2009		
<small>These drawings and specifications are the property of NIRO-Plan AG and shall not be reproduced, copied or transferred to any third party without the prior written permission of NIRO-Plan AG, Aarburg, Switzerland</small>			

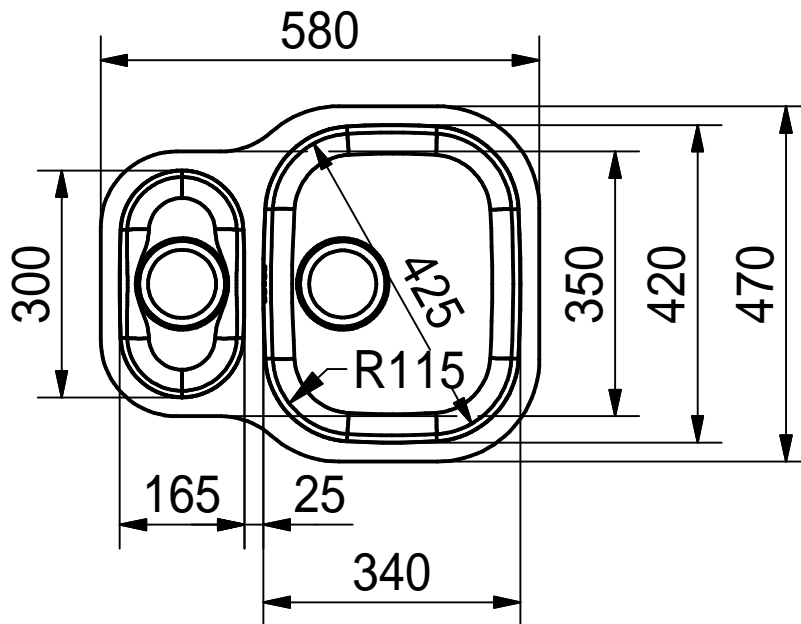
Franke Küchentechnik AG
CH-4663 Aarburg
Phone: +41 62 787 31 31
Internet: www.franke.com

CPX160UK

installing document

Sheet	Sheets
4	6

DT



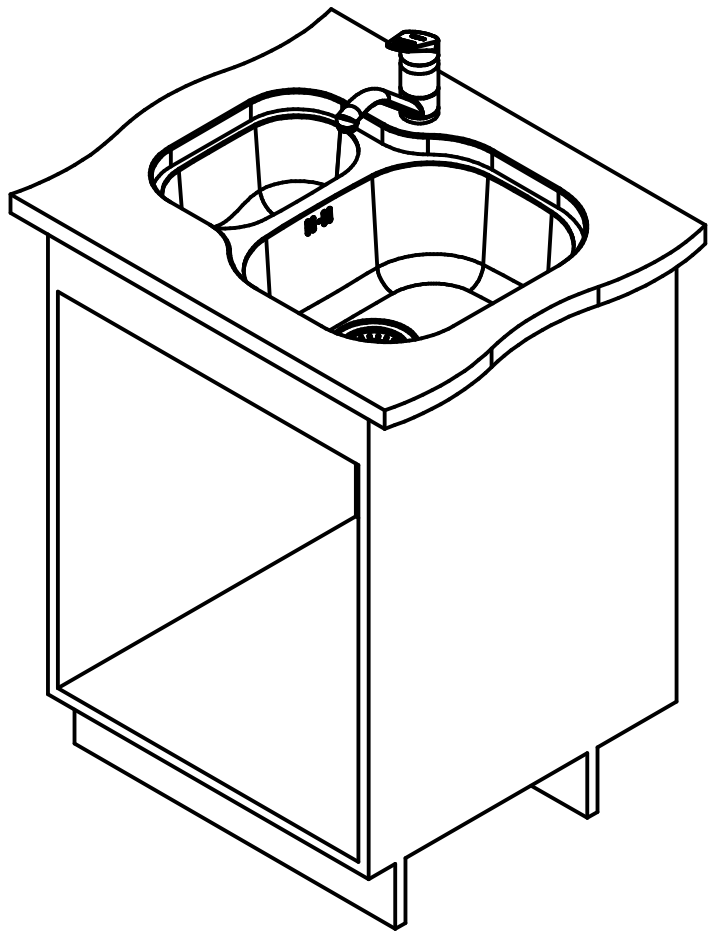
Drawing No.	0056-187043	Revision	A
Drawn Date	02.12.2009		
<small>These drawings and specifications are the property of NIRO-Plan AG and shall not be reproduced, copied or transferred to any third party without the prior written permission of NIRO-Plan AG, Aarburg, Switzerland</small>			

Franke Küchentechnik AG
CH-4663 Aarburg
Phone: +41 62 787 31 31
Internet: www.franke.com

CPX160UK
installing document

Sheet	Sheets
5	6

ISO



Drawing No.	0056-187043	Revision	A
Drawn Date	02.12.2009		
<small>These drawings and specifications are the property of NIRO-Plan AG and shall not be reproduced, copied or transferred to any third party without the prior written permission of NIRO-Plan AG, Aarburg, Switzerland</small>			

Franke Küchentechnik AG
CH-4663 Aarburg
Phone: +41 62 787 31 31
Internet: www.franke.com

CPX160UK

installing document

Sheet	Sheets
6	6